



- **Direct Modeling Strategy**
  - PTC Creo Elements/Direct
  - PTC Creo
- **PTC Creo – Current Direct Modeling Capabilities & Outlook**
  - PTC Creo Direct 3.0
  - PTC Creo Parametric 3.0 Flexible Modeling Extension (FMX)
- **PTC Creo Elements/Direct**
  - PTC Creo/Elements Direct 19.0 & 20.0
  - Product Adoption Strategy for PTC Creo Elements/Direct



## Overview

**PTC Creo Direct**

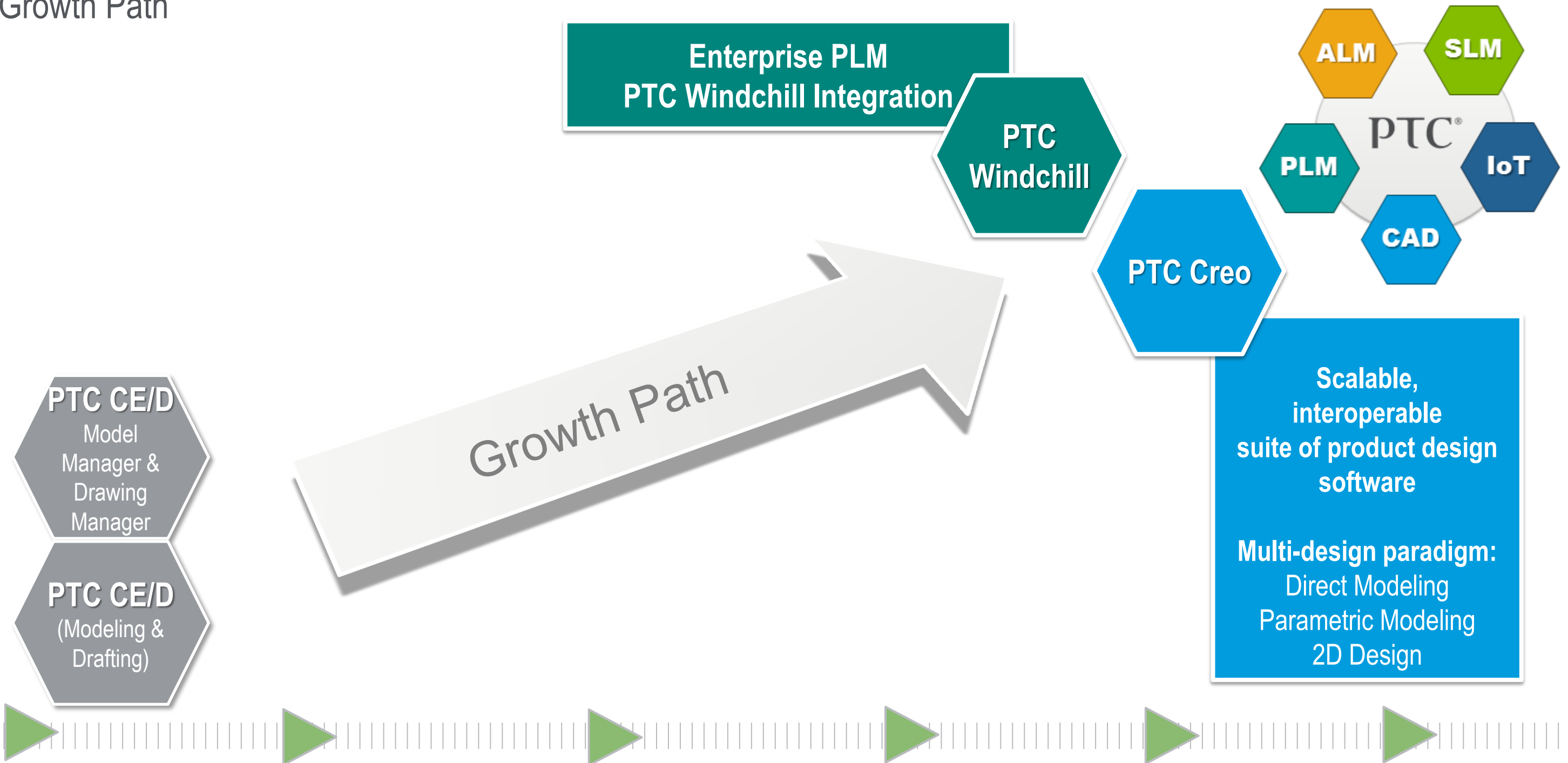
**PTC Creo Parametric  
Flexible Modeling  
Extension (FMX)**

**PTC Creo  
Elements/Direct**

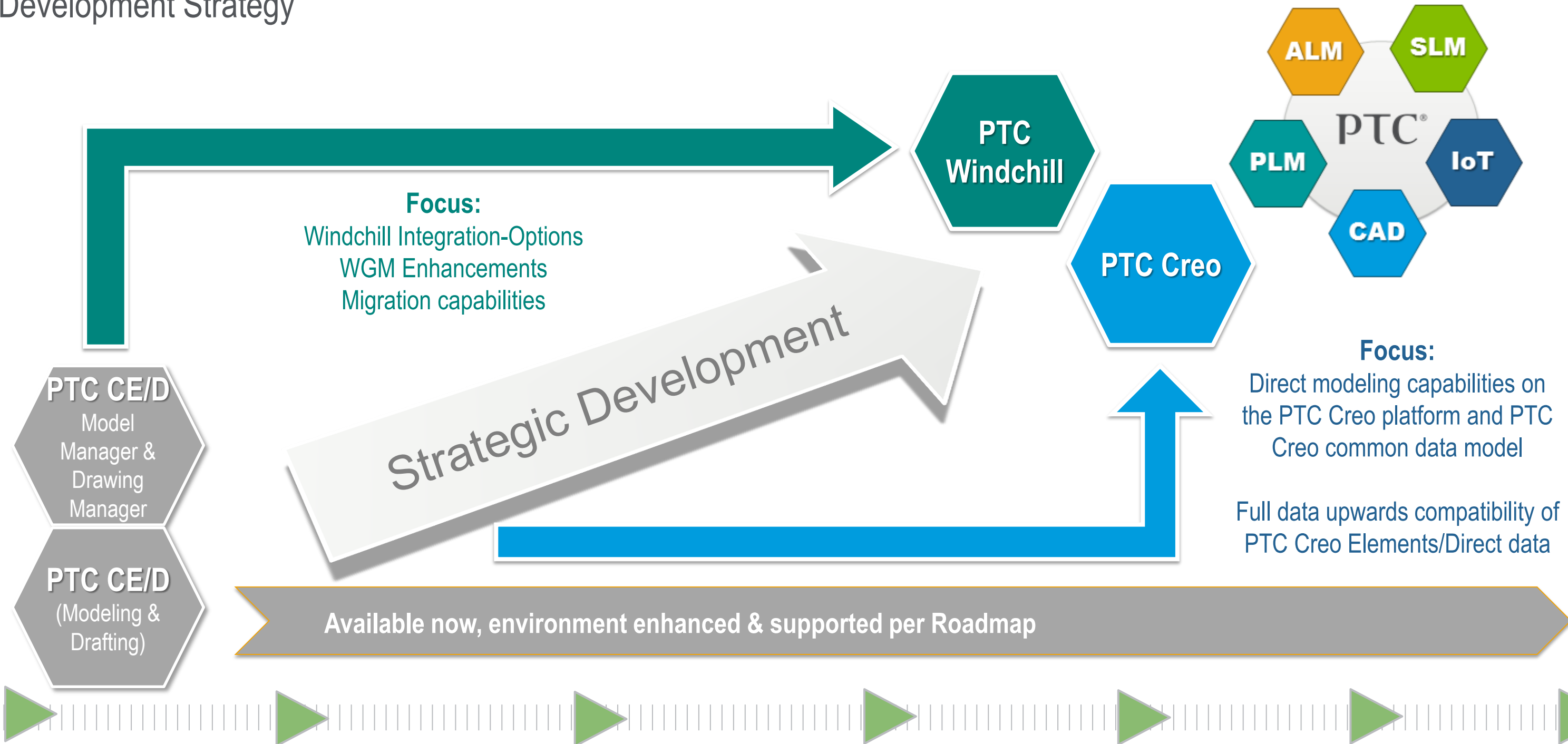
**Formerly CoCreate**

PTC Creo

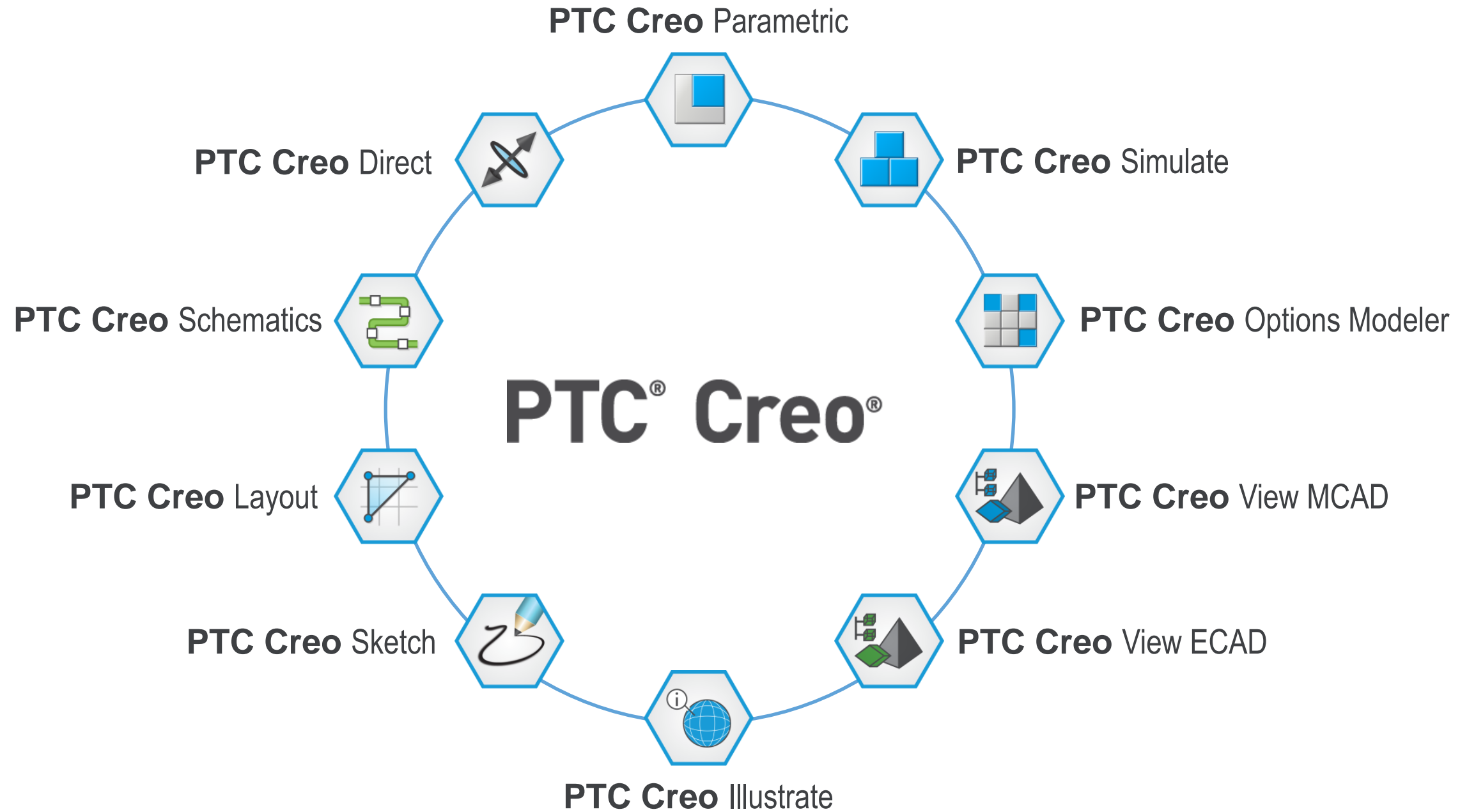
## Growth Path



## Development Strategy

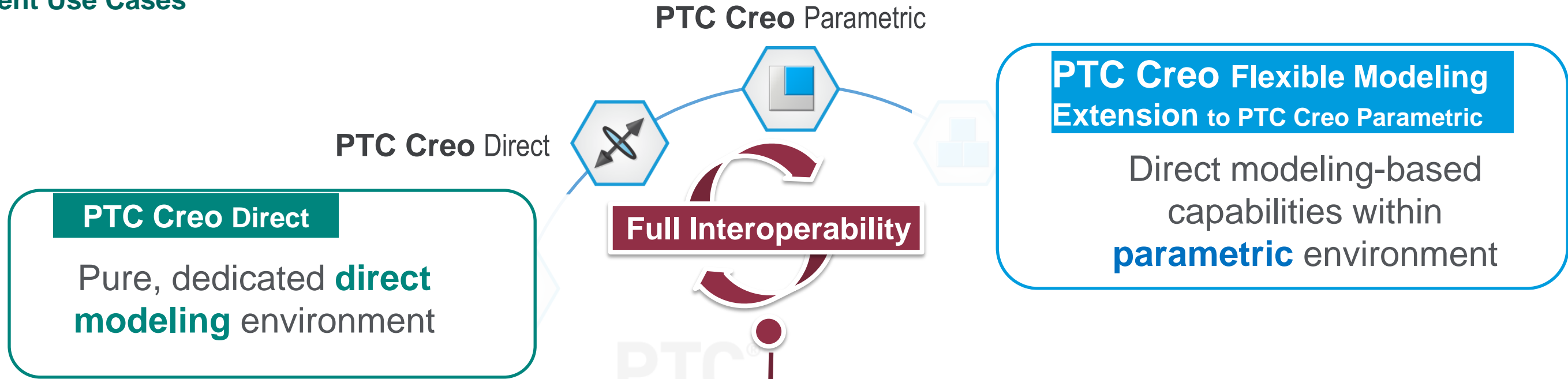


a **scalable, interoperable** suite of product design software that delivers **fast time to value**

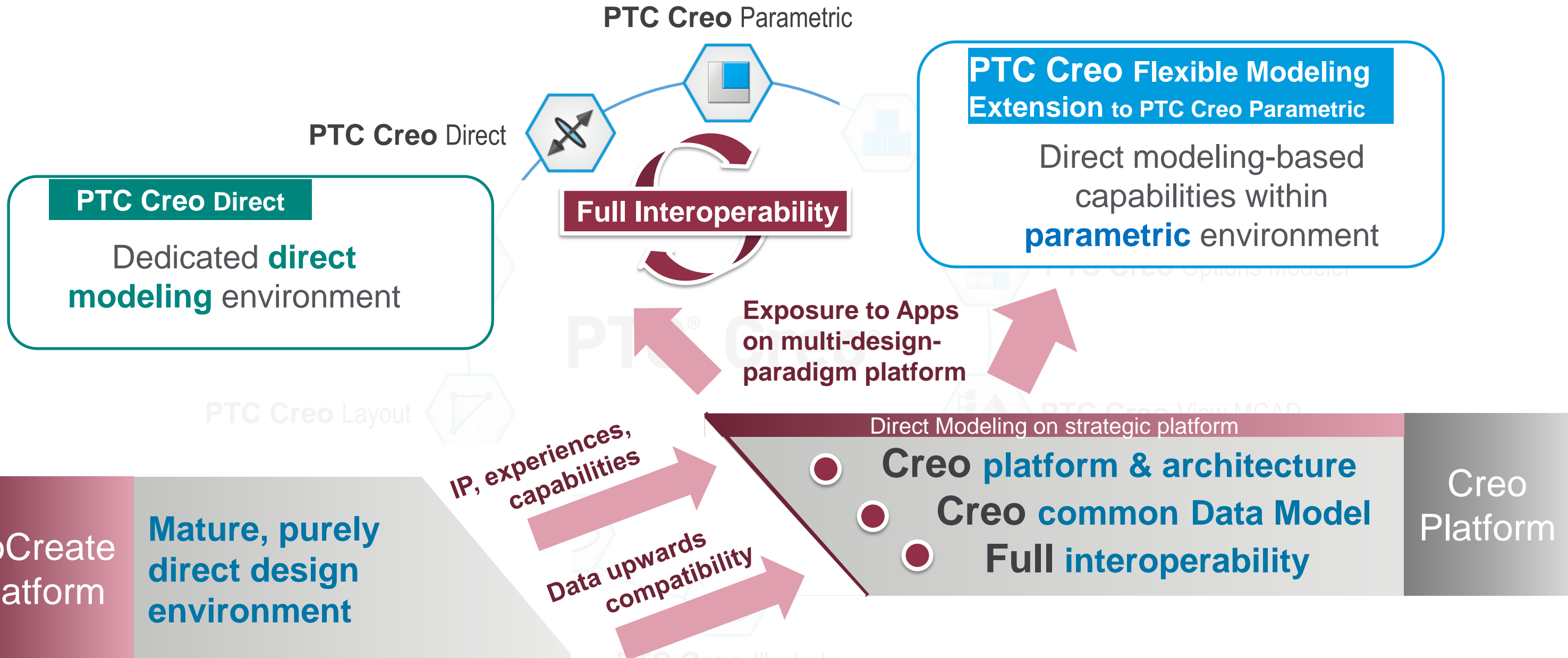




## Current Use Cases

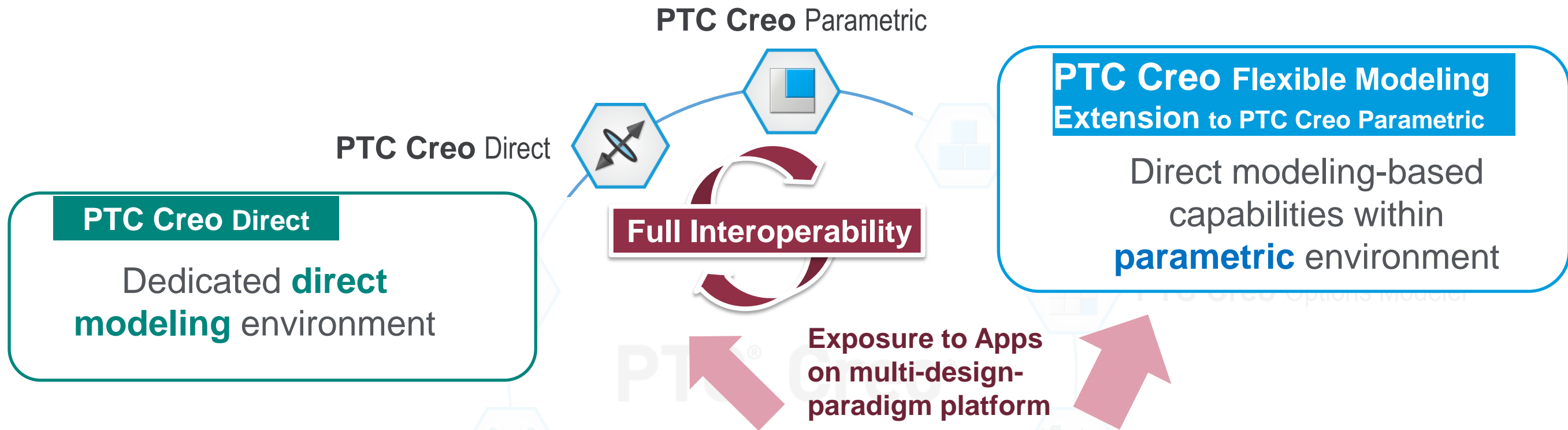


Strategy: Expansion of direct modeling capabilities on the PTC Creo platform





Strategy: Expansion of direct modeling capabilities on the PTC Creo platform



## Direct Modeling technology/capabilities added in Creo 3.0

### Rounds & Chamfers with Direct Modeling Design Intent

- Shapes Selection
- Create advanced R/C (\*)
- Edit/Remove
- Recognize / Un-recognize
- Rounds & Chamfer Handling/Treatment

### Tangency Handling

- Geometry Solver
- Tangency detection & control in Move, Modify Analytic, Offset
- Flexible geometric conditions for tangency control

### Geometric Solutions

- Enhanced geometric solutions for move
- Pattern**
- Flex Pattern w R/C handling
- Multi-Color Preview Substitute (\*)**

(\*) Exposed in PTC Creo Direct 3.0

Creo Platform

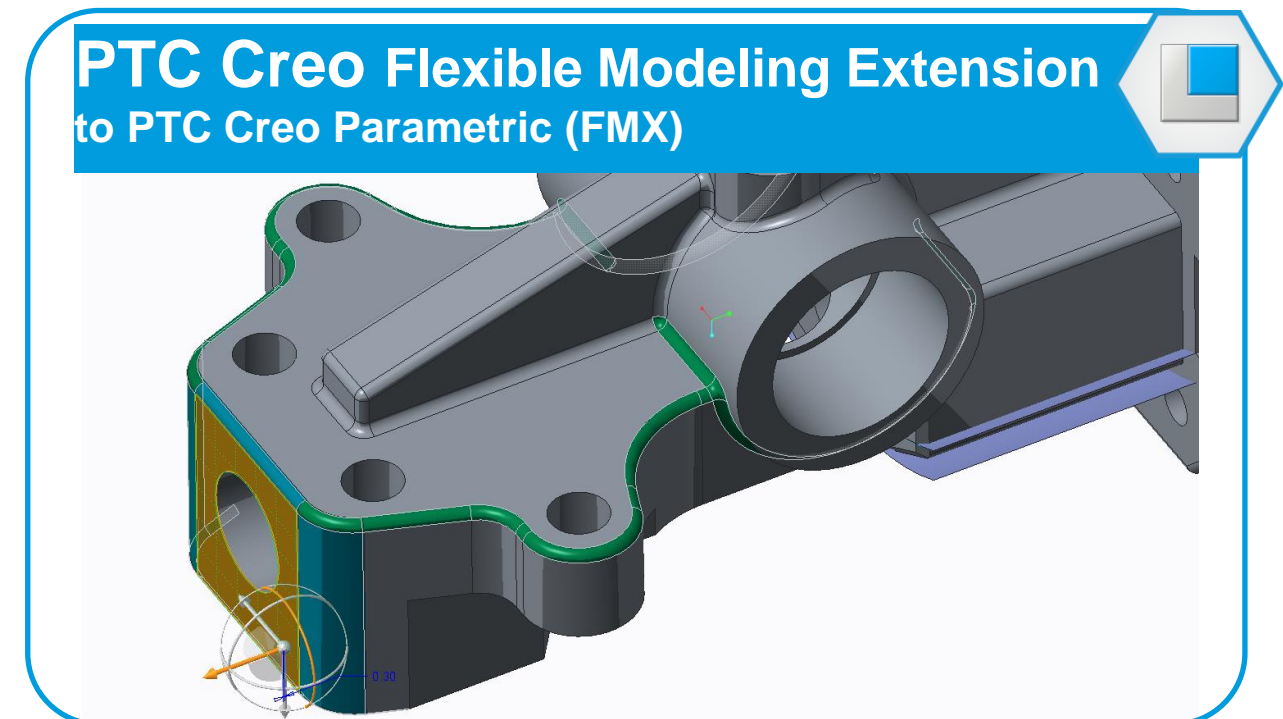
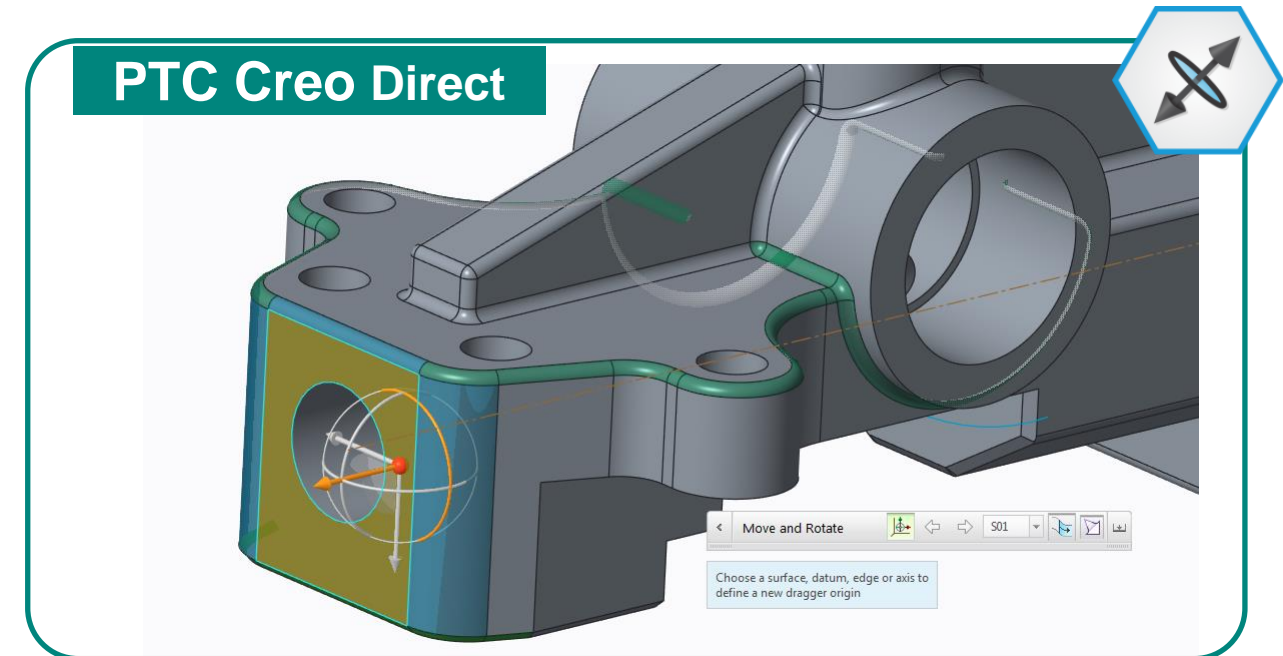
Rounds & Chamfers with Direct Modeling Design Intent

## Rounds & Chamfers

- Shapes Selection

Support for advanced Round/Chamfer types

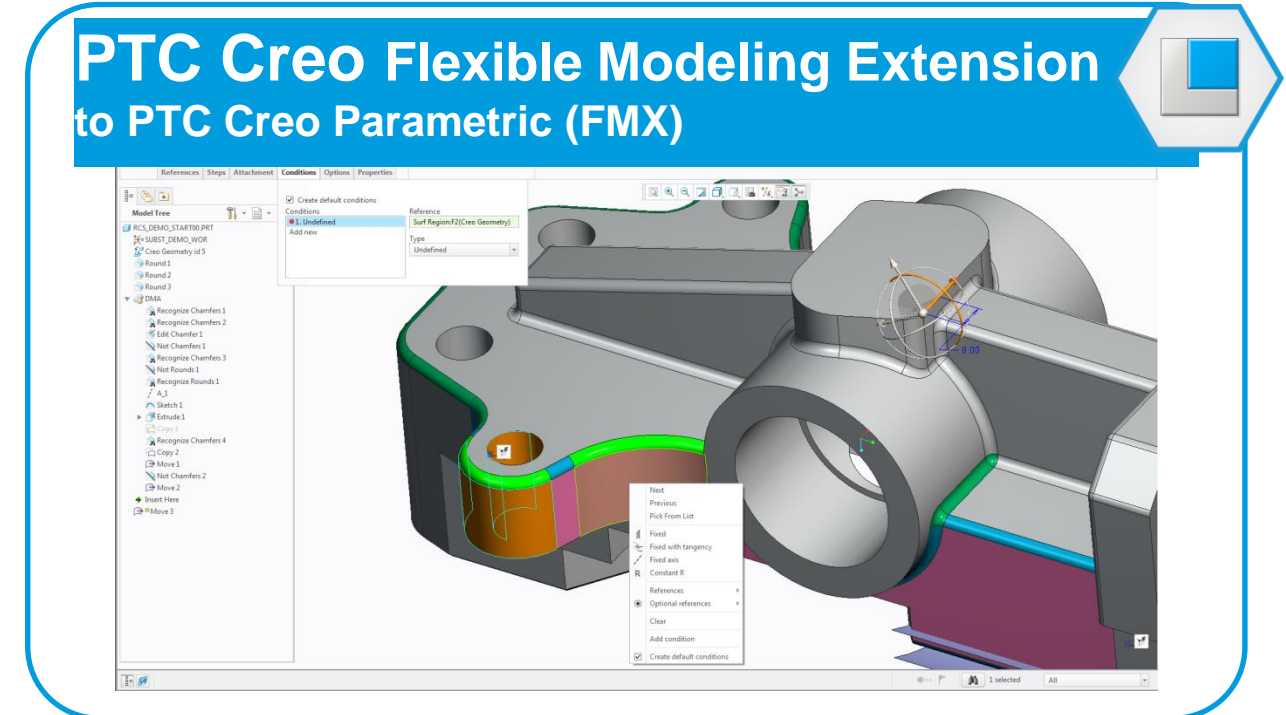
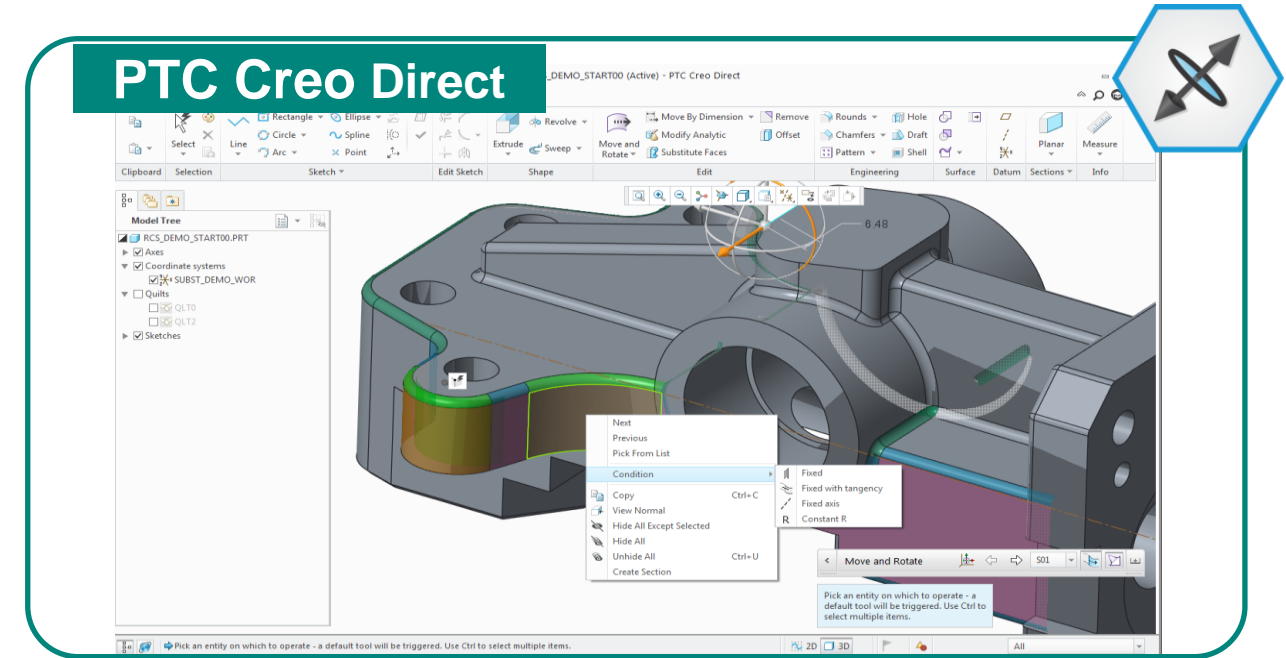
- Creation (\*)
- Edit/Remove
- Recognize / Un-recognize
- Rounds & Chamfer Handling/Treatment
  - Removal and recreation of attachment geometry



Geometric operations maintaining tangency situations

## Tangency Handling

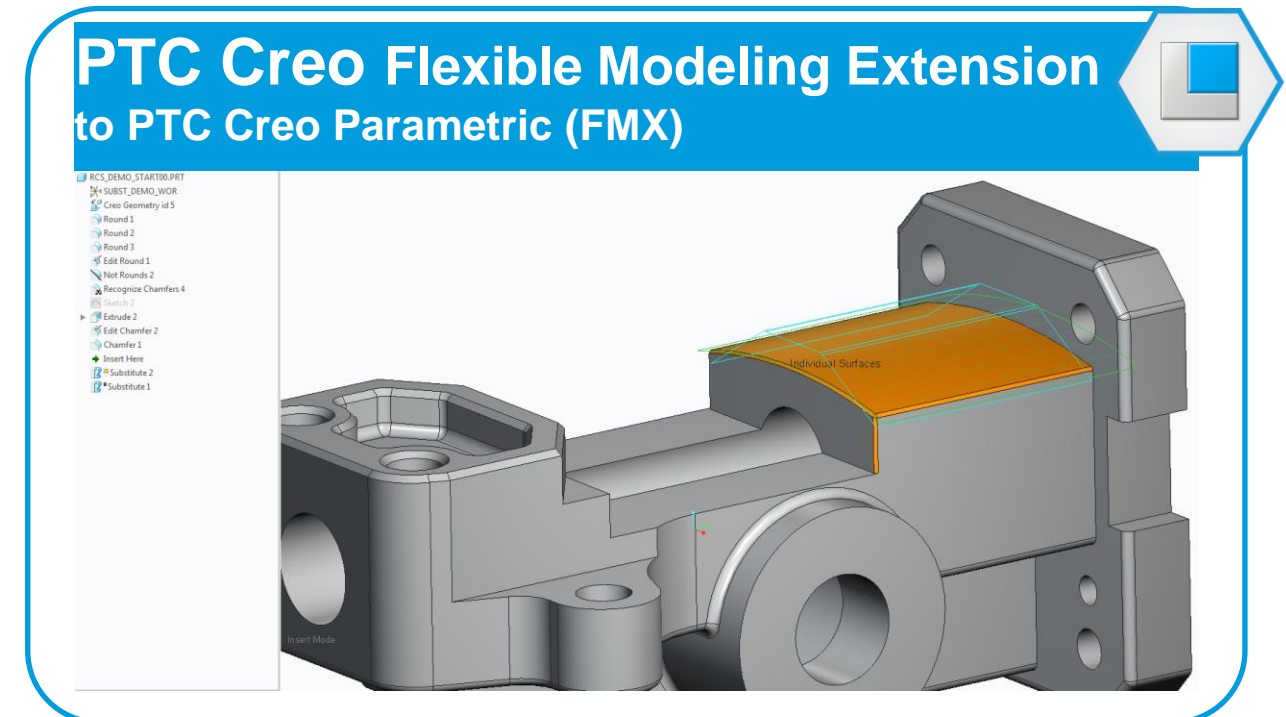
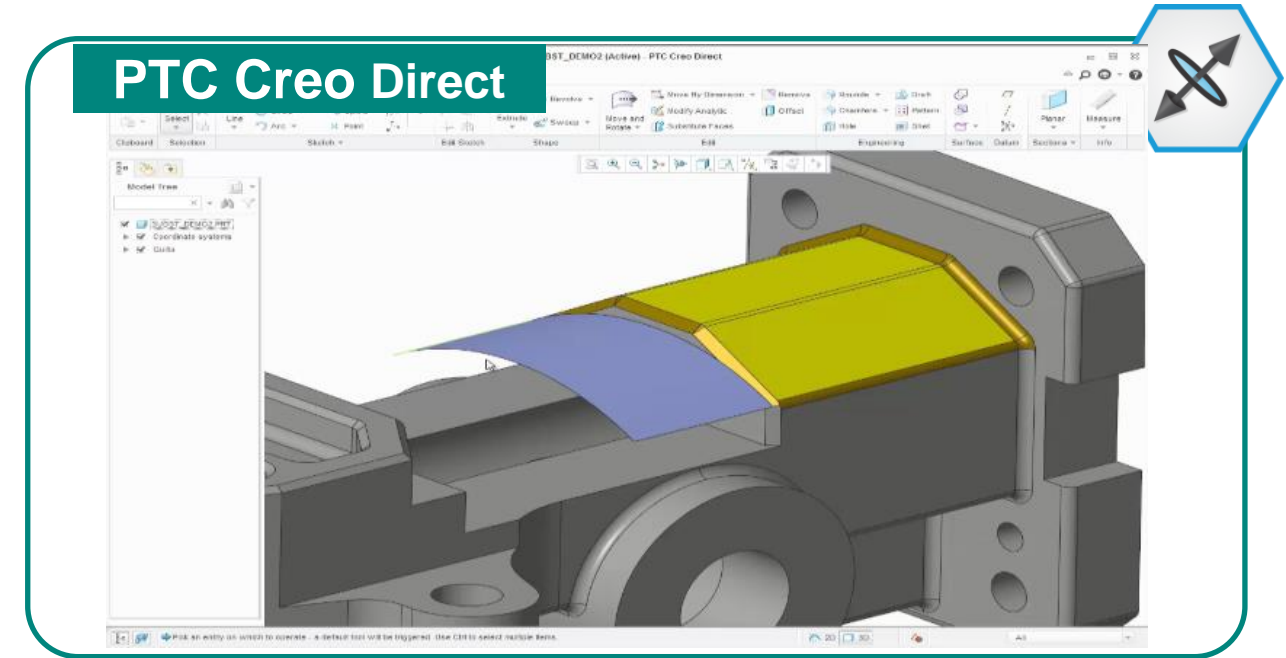
- Geometry Solver
- Tangency detection & control
- Available for Move, Modify Analytic, Offset
- Geometric conditions



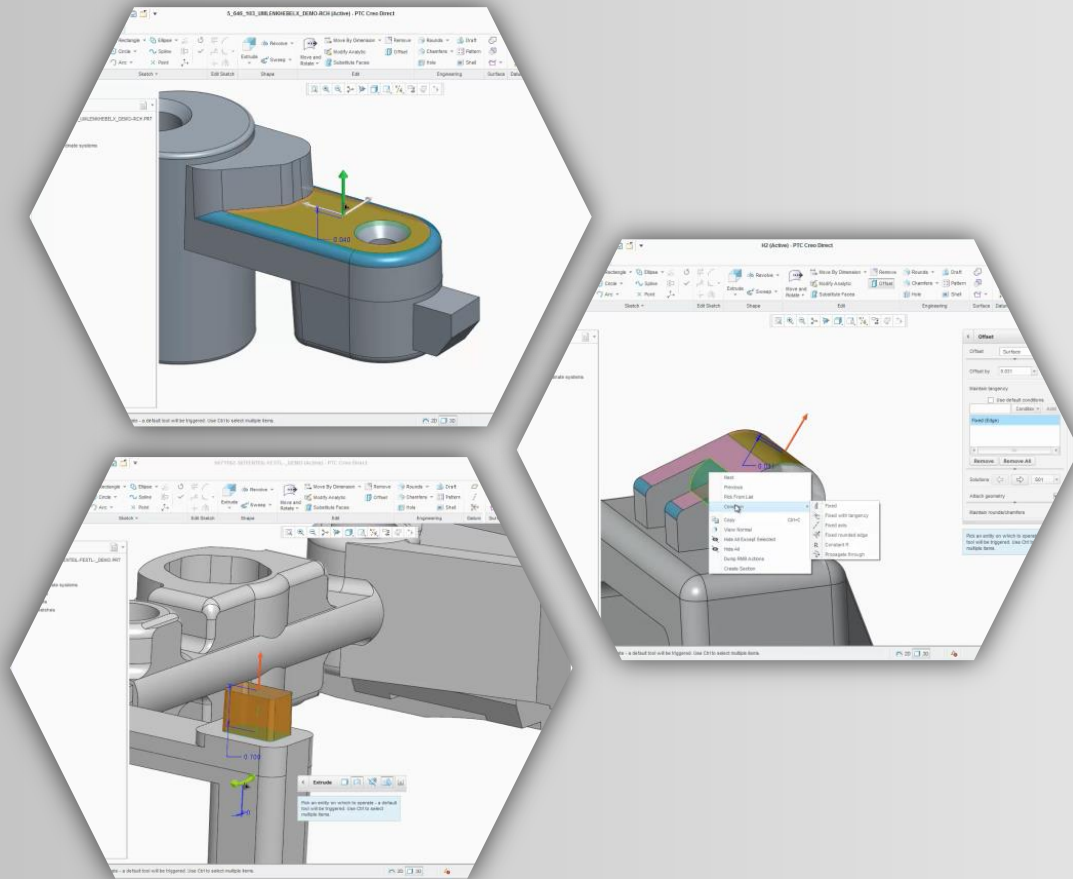
Quickly align surfaces geometrically

## Substitute

- Geometrically substitute surfaces with other surfaces
- Including handling of rounds and chamfers
- First introduced in FMX, exposed into PTC Creo Direct in PTC Creo 3.0



...beyond core 3D geometry capabilities?



Richer and more intuitive Direct Modeling experience

More Direct Modeling Power

Improved Assembly Design Workflows

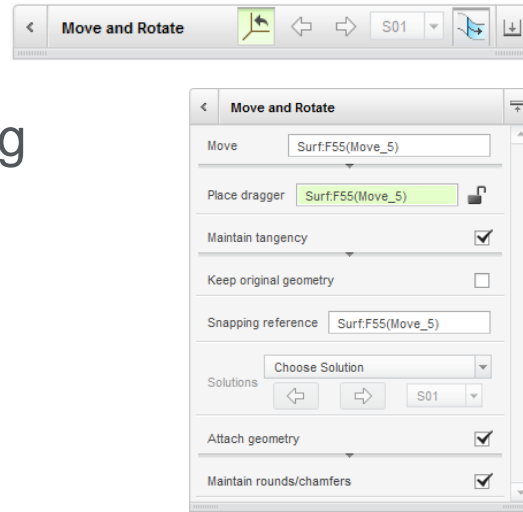
Usability Enhancements

Broadened Import of non-PTC CAD formats

...beyond core 3D geometry capabilities?

## More Intuitive Experience

- Improved Live Toolbar with floating dashboards and tool templates
- Enhanced Sketching workflows



Richer and more intuitive Direct Modeling experience

More Direct Modeling Power

Improved Assembly Design Workflows

Usability Enhancements

Broadened Import of non-PTC CAD formats

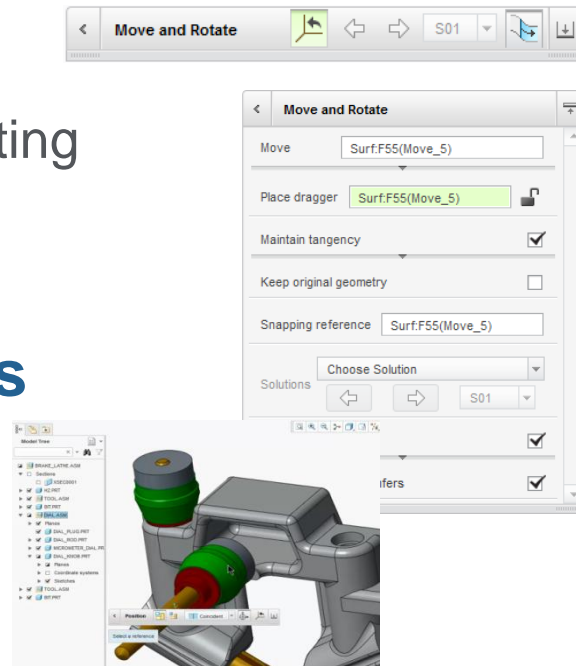
...beyond core 3D geometry capabilities?

## More Intuitive Experience

- Improved Live Toolbar with floating dashboards and tool templates
- Enhanced Sketching workflows

## Assembly Design Workflows

- Improved visibility control (components/objects)
- Work in cross section mode
- Smooth component/assembly reuse workflow



Richer and more intuitive Direct Modeling experience

More Direct Modeling Power

Improved Assembly Design Workflows

Usability Enhancements

Broadened Import of non-PTC CAD formats

...beyond core 3D geometry capabilities?

## More Intuitive Experience

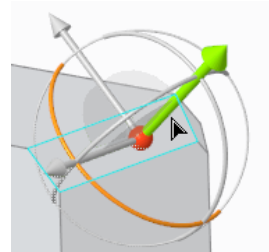
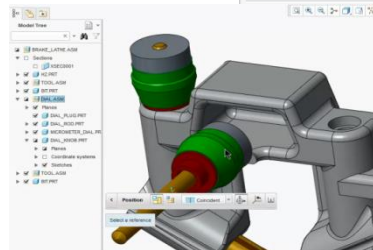
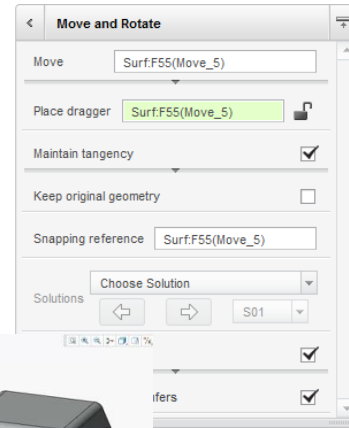
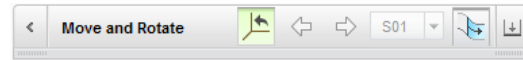
- Improved Live Toolbar with floating dashboards and tool templates
- Enhanced Sketching workflows

## Assembly Design Workflows

- Improved visibility control (components/objects)
- Work in cross section mode
- Smooth component/assembly reuse workflow

## Usability Enhancements

- Easier component activation workflows
- Overhauled 3D Dragers and 3D Dragger placement workflows
- Enhanced Multi-Color Preview
- Enriched user options



Richer and more intuitive Direct Modeling experience

More Direct Modeling Power

Improved Assembly Design Workflows

Usability Enhancements

Broadened Import of non-PTC CAD formats



...beyond core 3D geometry capabilities?

## More Intuitive Experience

- Improved Live Toolbar with floating dashboards and tool templates
- Enhanced Sketching workflows

## Assembly Design Workflows

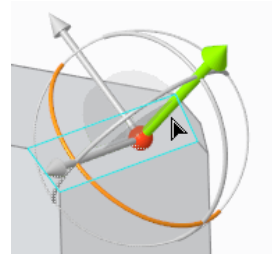
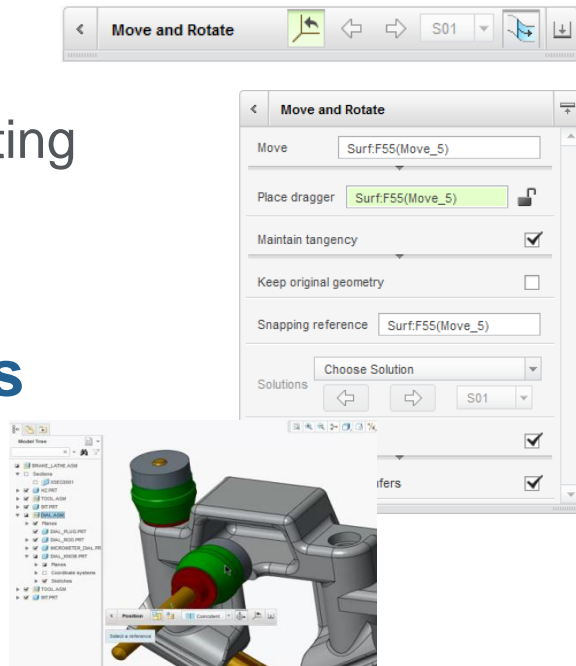
- Improved visibility control (components/objects)
- Work in cross section mode
- Smooth component/assembly reuse workflow

## Usability Enhancements

- Easier component activation workflows
- Overhauled 3D Dragers and 3D Dragger placement workflows
- Enhanced Multi-Color Preview
- Enriched user options

## Import non-PTC Creo CAD formats

- All major formats



Richer and more intuitive Direct Modeling experience

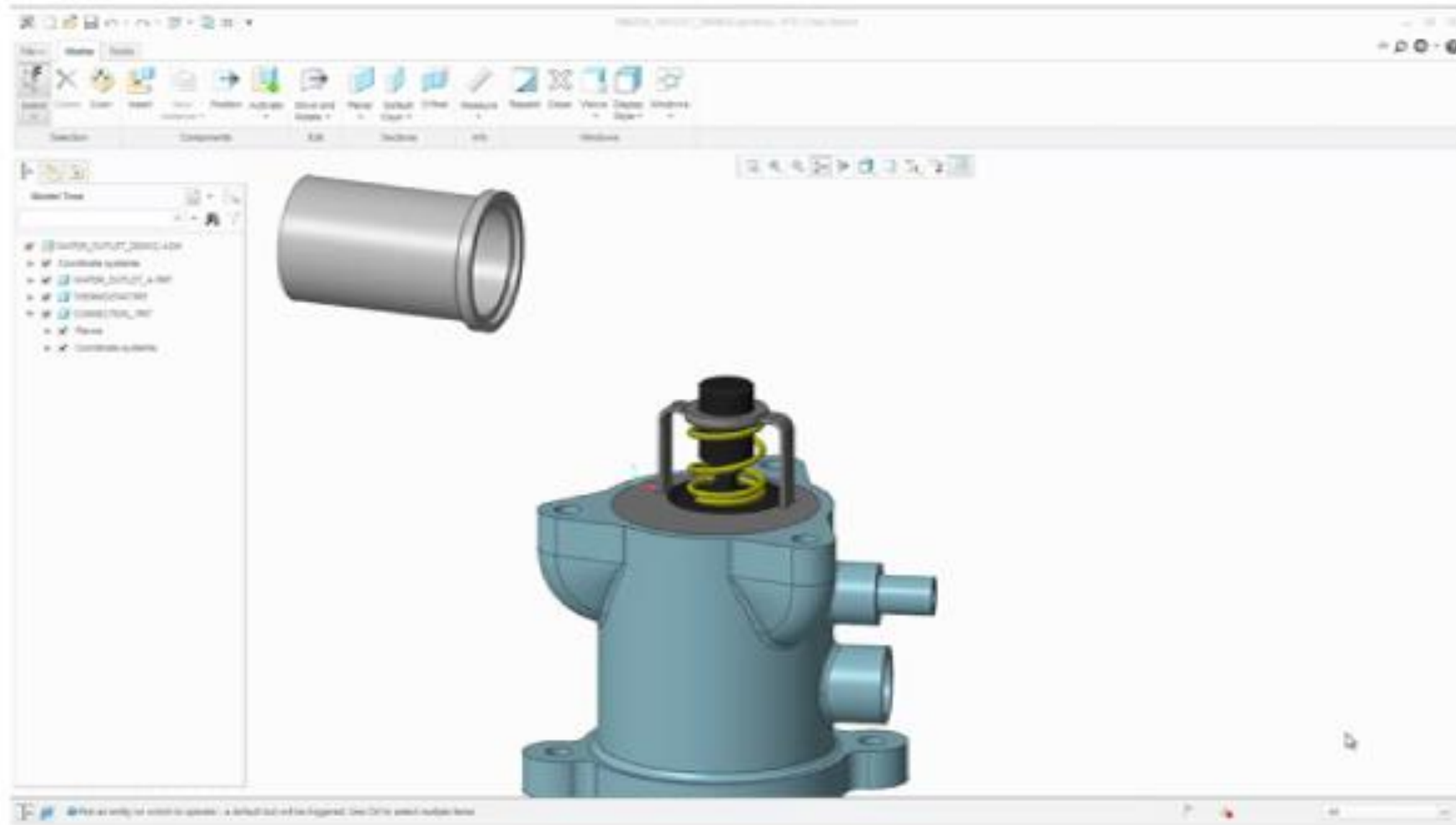
More Direct Modeling Power

Improved Assembly Design Workflows

Usability Enhancements

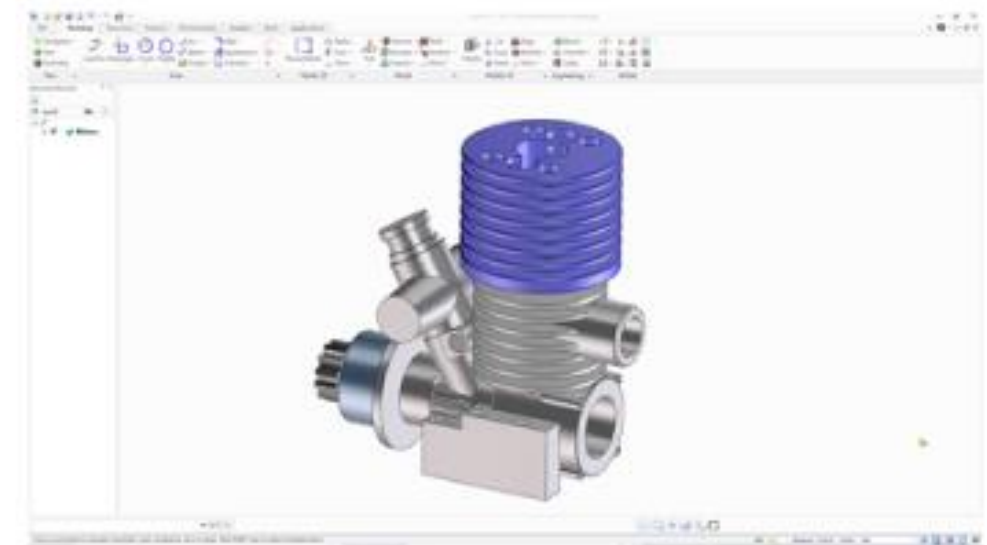
Broadened Import of non-PTC CAD formats

## Working in the Assembly

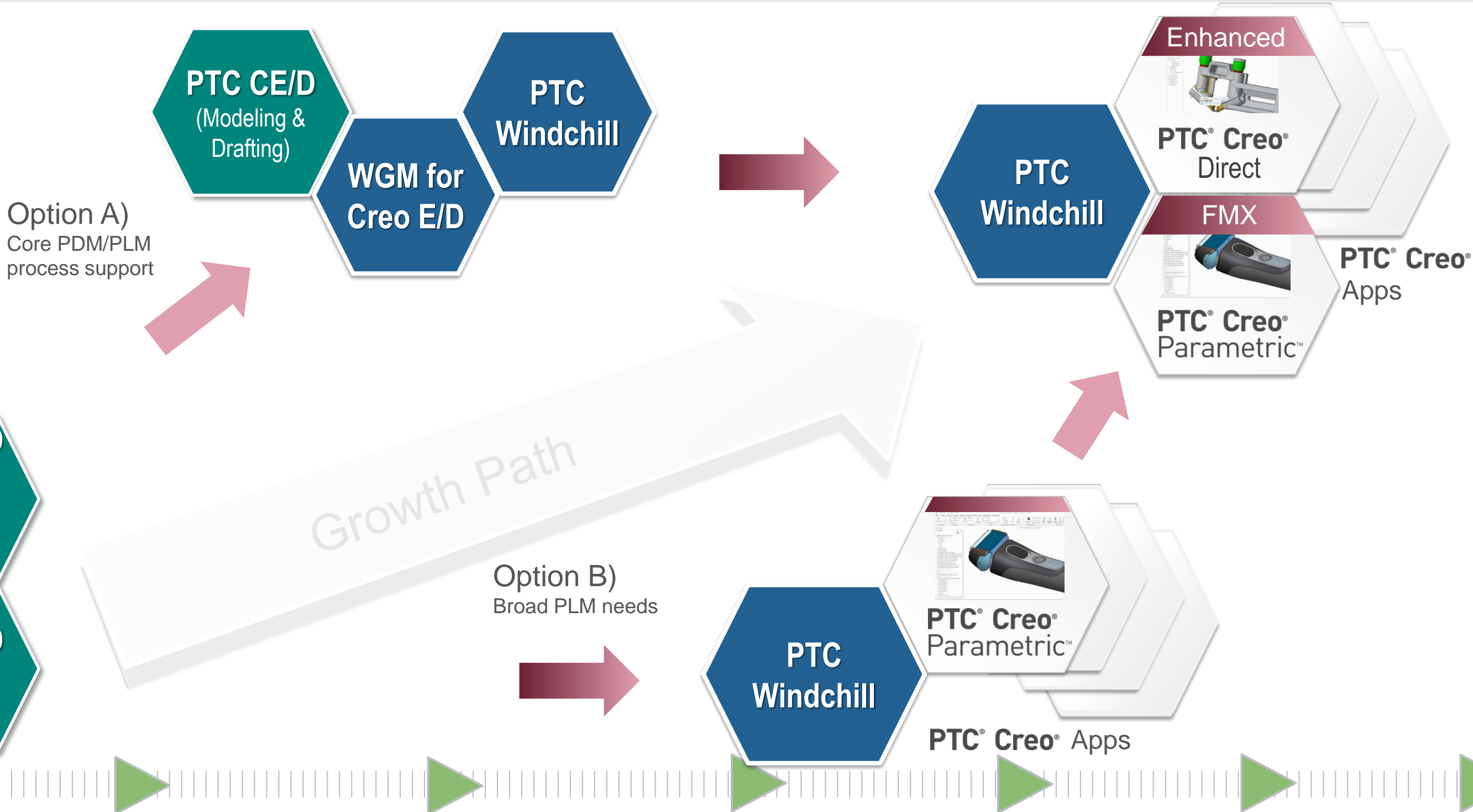


PTC Creo Elements/Direct 19.0 and planned enhancements for 20.0

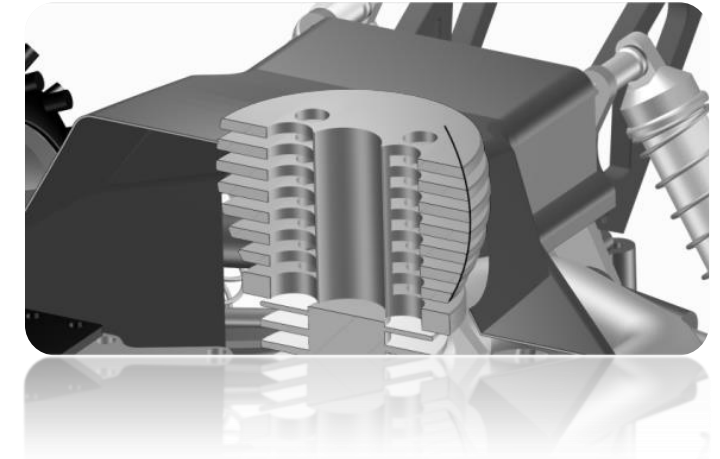
- **Build on Improved Interoperability delivered in PTC Creo Elements/Direct 19.0 and PTC Creo 3.0**
  - Enhanced upward compatibility to PTC Creo
    - Cross Section support
    - Semantic PMI transfer
    - PTC Creo Elements/Direct drawing compatibility / Import of .mi Drawings
  - Import of SolidWorks and Inventor Files into Modeling
- **R&D focus for next release:  
Enhanced upward compatibility to PTC Creo**



## Options



- **Direct modeling remains a key element of PTC's CAD strategy**
  - PTC is committed to continued investment in direct modeling in PTC Creo
  - PTC will provide upward data compatibility from PTC Creo Elements/Direct to the PTC Creo platform
- **PTC is committed to continuing to support and enhance PTC Creo Elements/Direct for many years**
  - PTC Creo Elements/Direct 19.0 delivers high customer value through improved productivity & interoperability
  - Release 20.0 development is underway now
- **PTC Windchill provides best-in-class Data Management capabilities**
  - PTC is committed to providing Migration tools from PTC Creo Elements/Direct Model Manager to PTC Windchill



# PTC<sup>®</sup> Live Global