



CAD INTEROPERABILITY WITH CREO

TIPS AND TECHNOLOGY

Steve Meyers

Technical Consultant – ITI Global

June 8, 2016

liveworx.com | #LIVEWORX

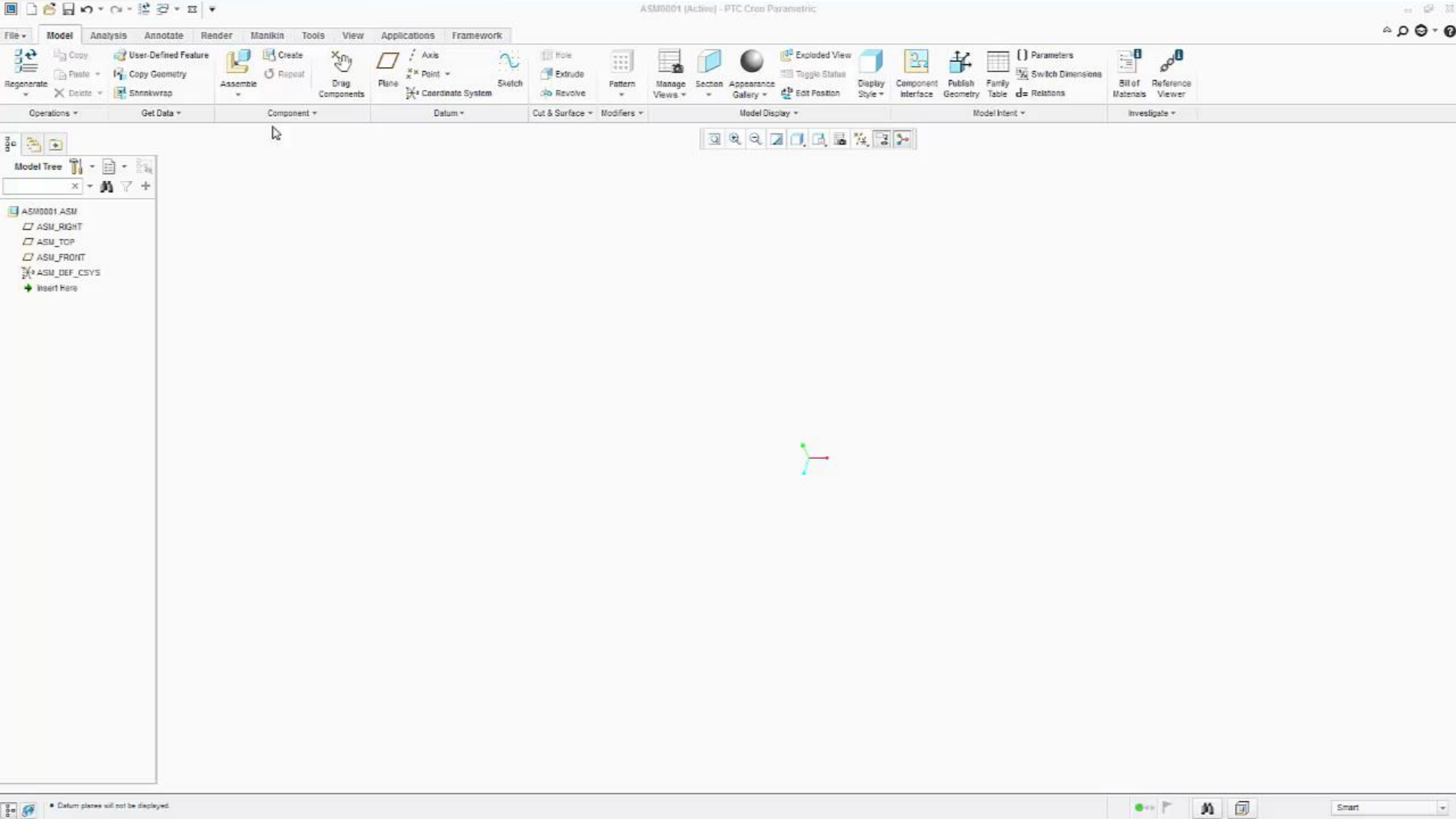


A decorative graphic in the top-left corner consisting of several overlapping, pointed shapes in shades of pink, yellow, and blue.

THREE SOLUTION OPTIONS

- Co-exist
- Import
- Migrate

COEXIST – CREO UNITE TECHNOLOGY



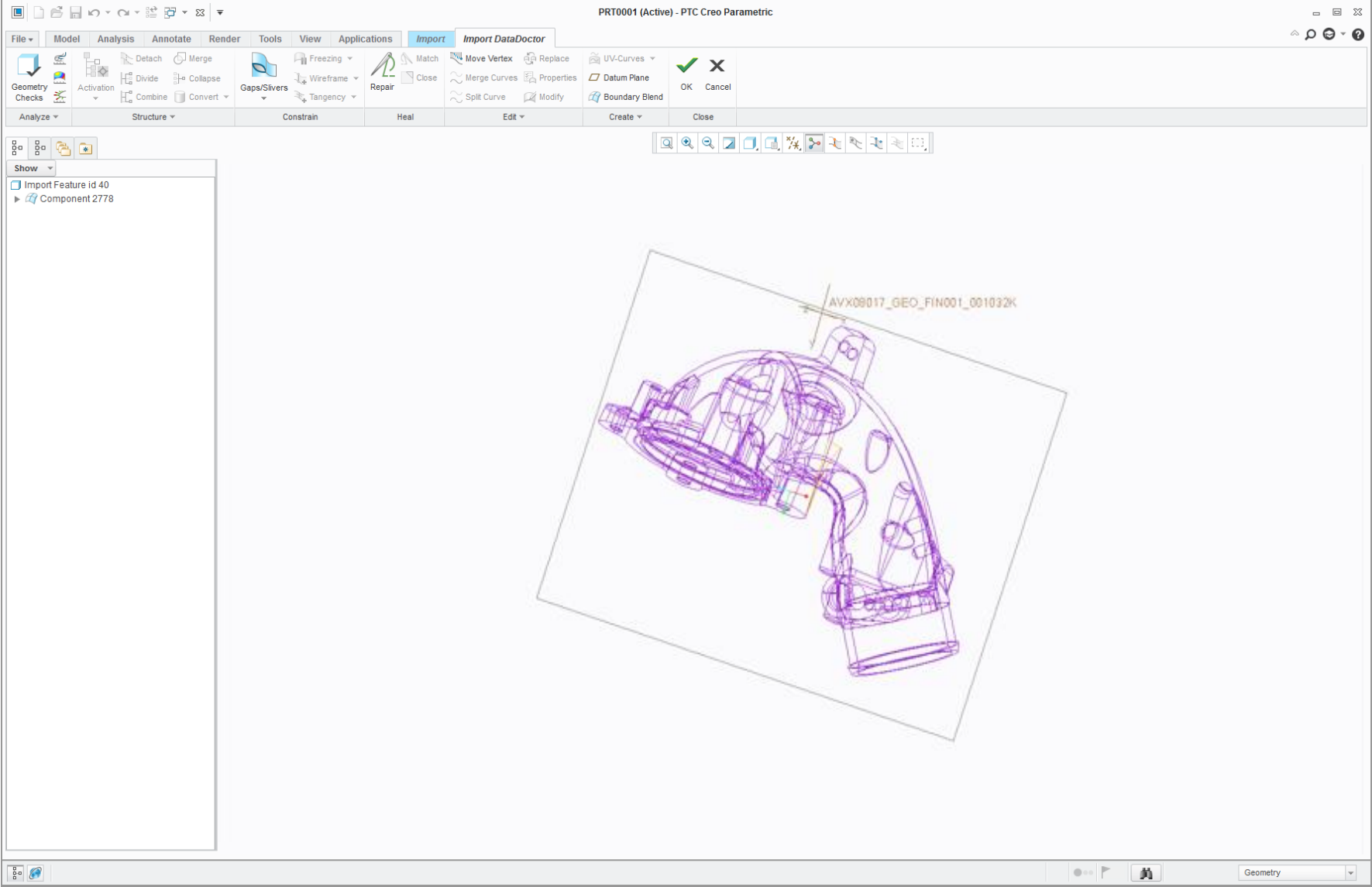
STEP

- Quality of export to STEP
- Quality of import from STEP
- No features

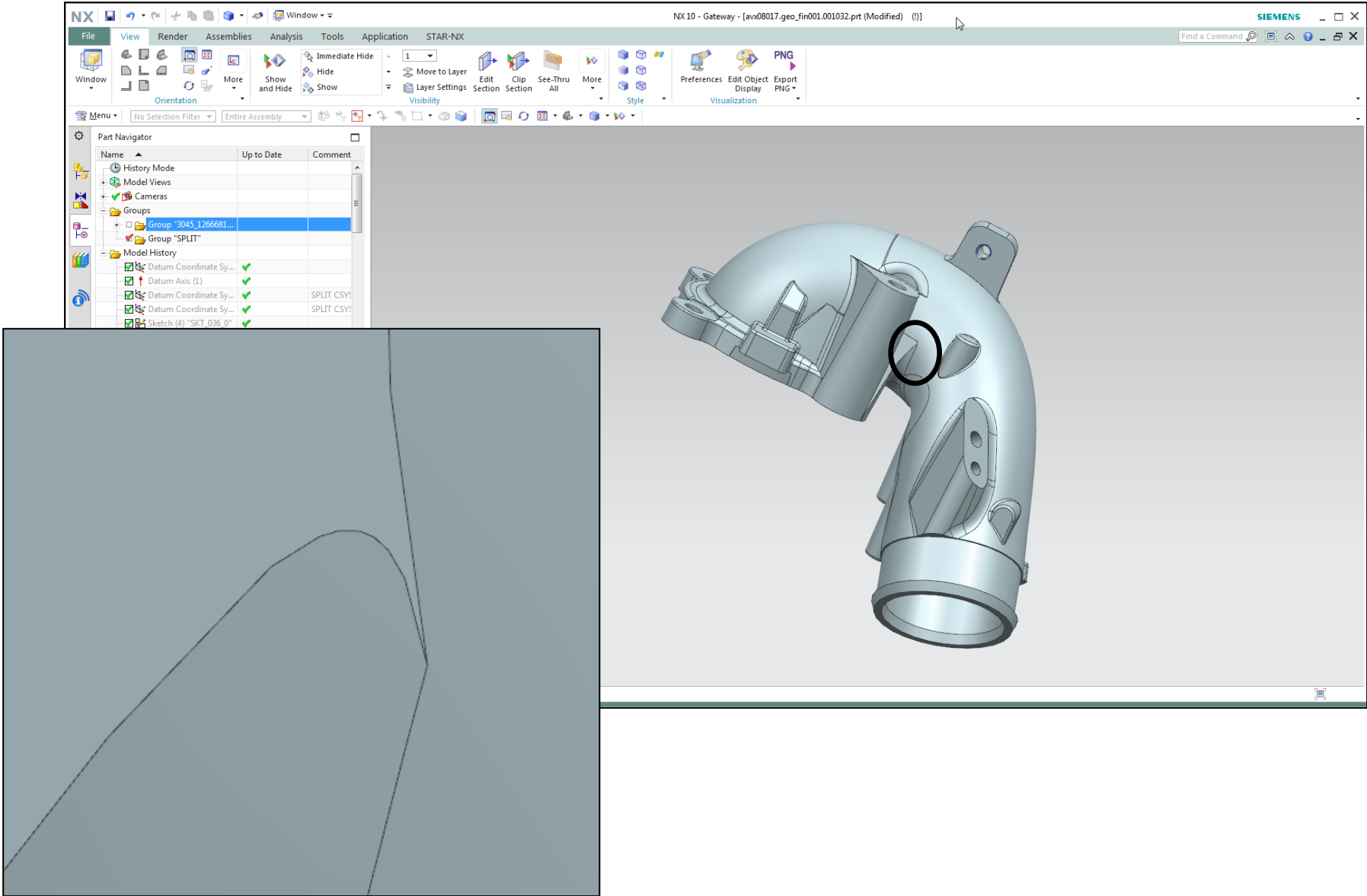
BREP

- Specialized translator for each path
- No features
- Quality still an issue

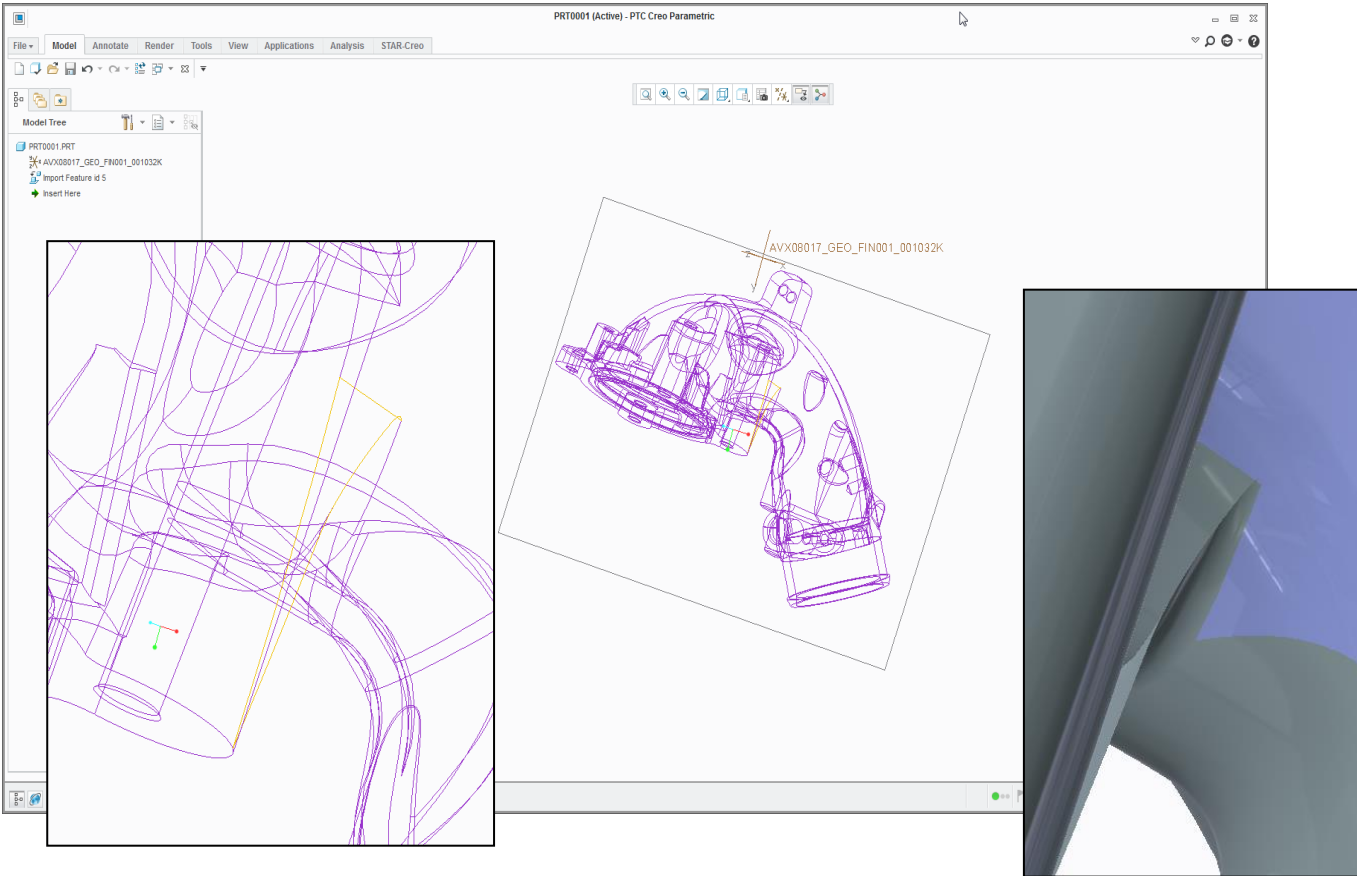
IMPORT – LACK OF FEATURES



IMPORT – QUALITY ISSUES



IMPORT – IDENTIFYING PROBLEMS

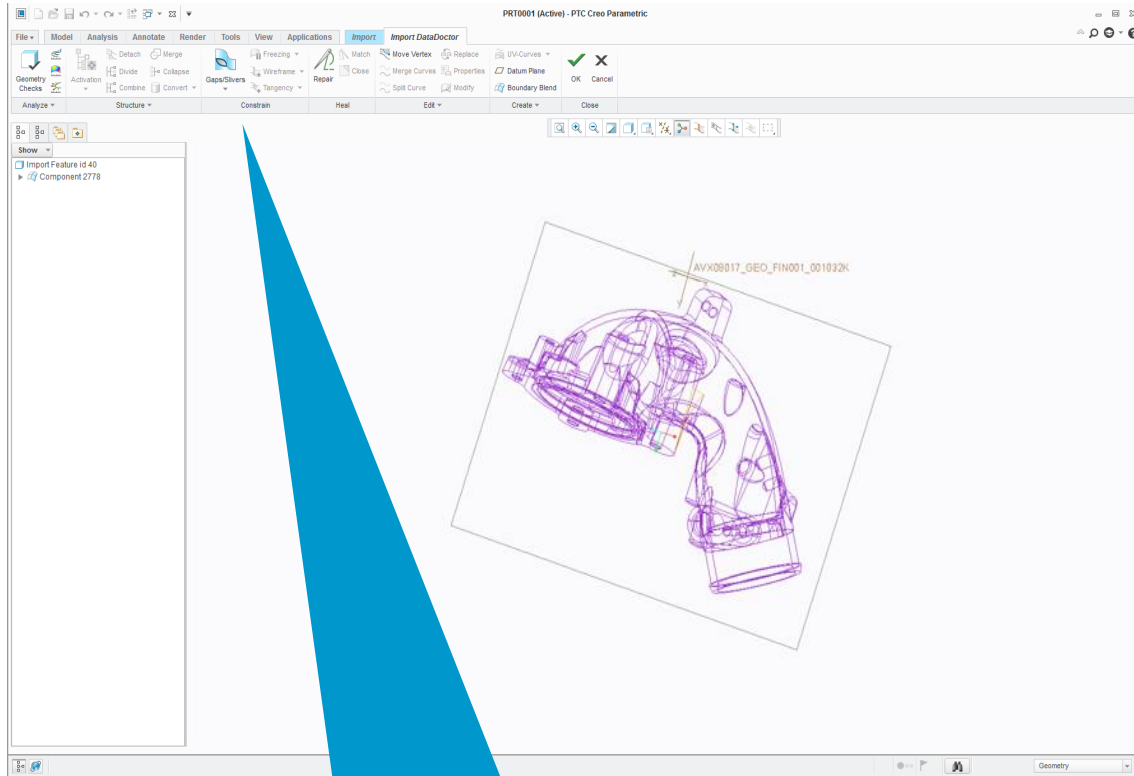


What is the problem?
How do I fix it?



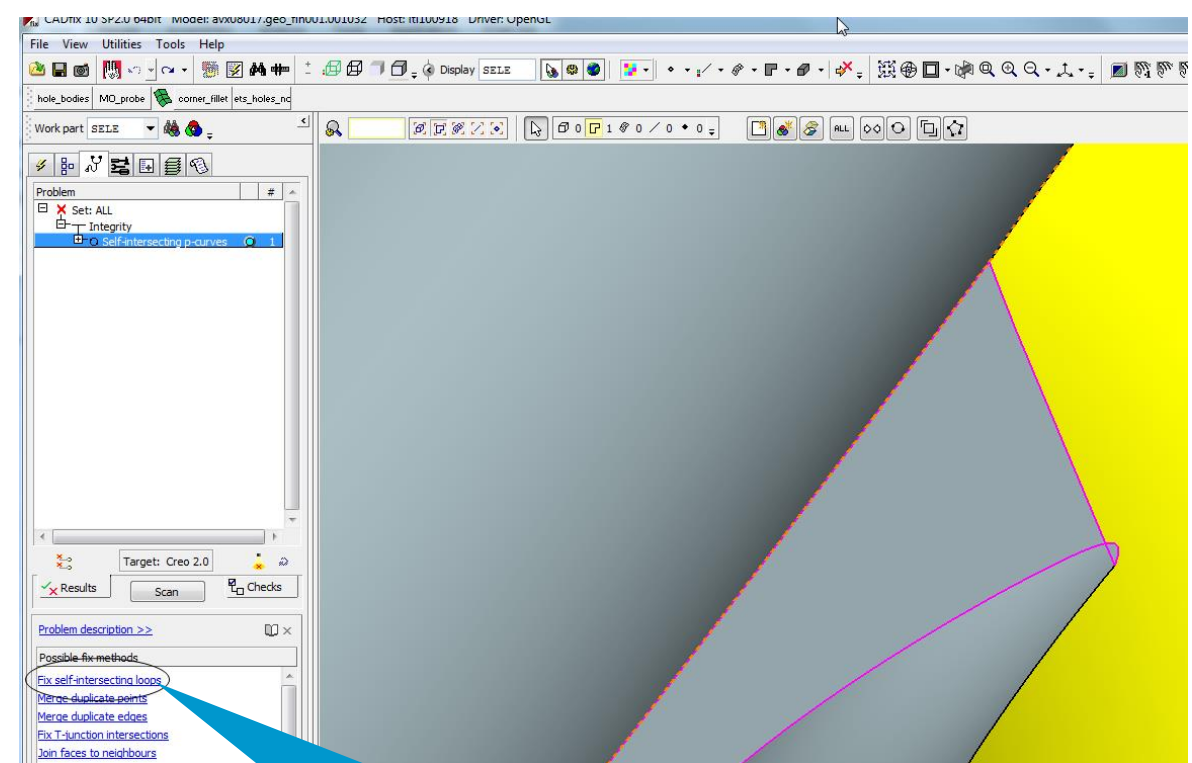
IMPORT – REPAIR

CAD Vendor Tools (Import Data Doctor)



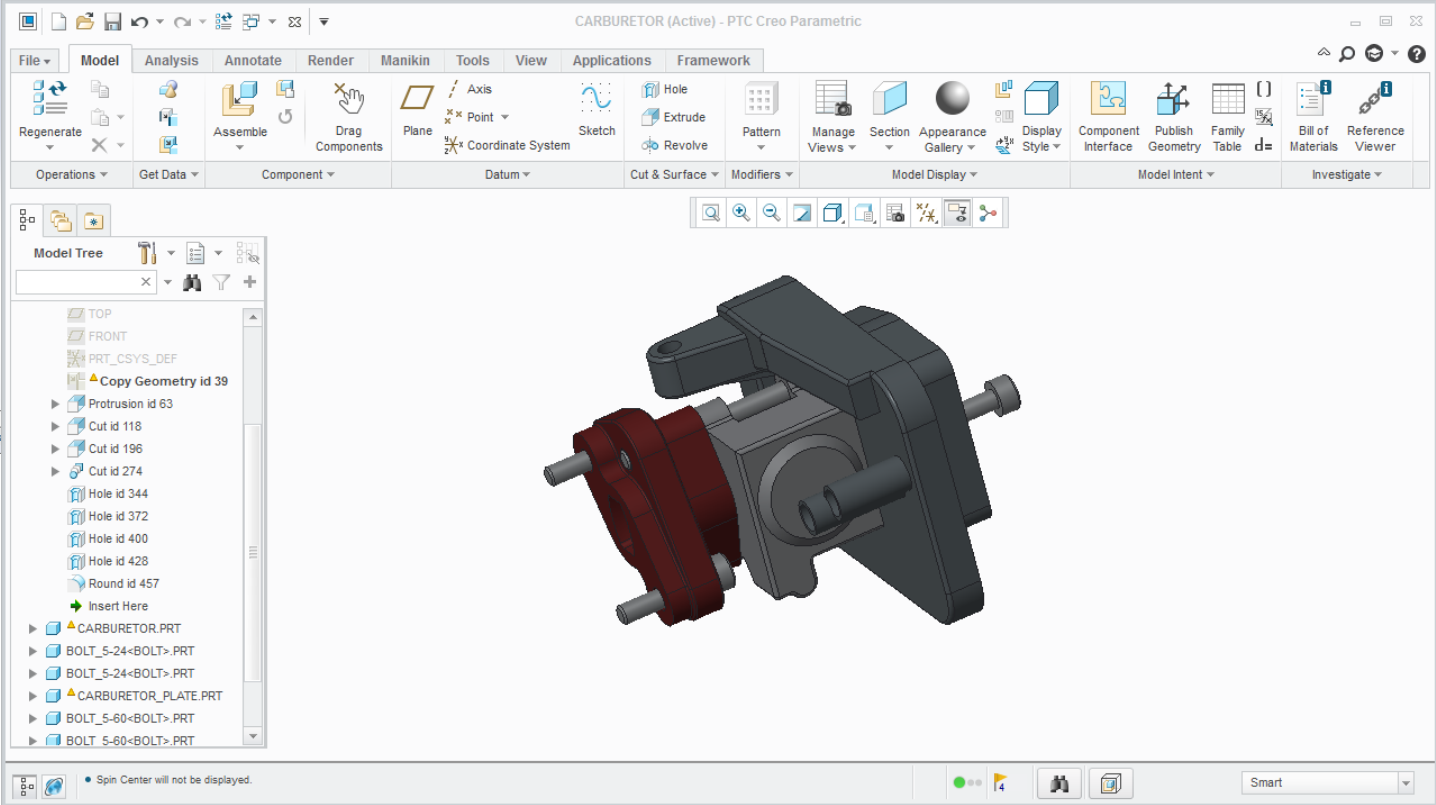
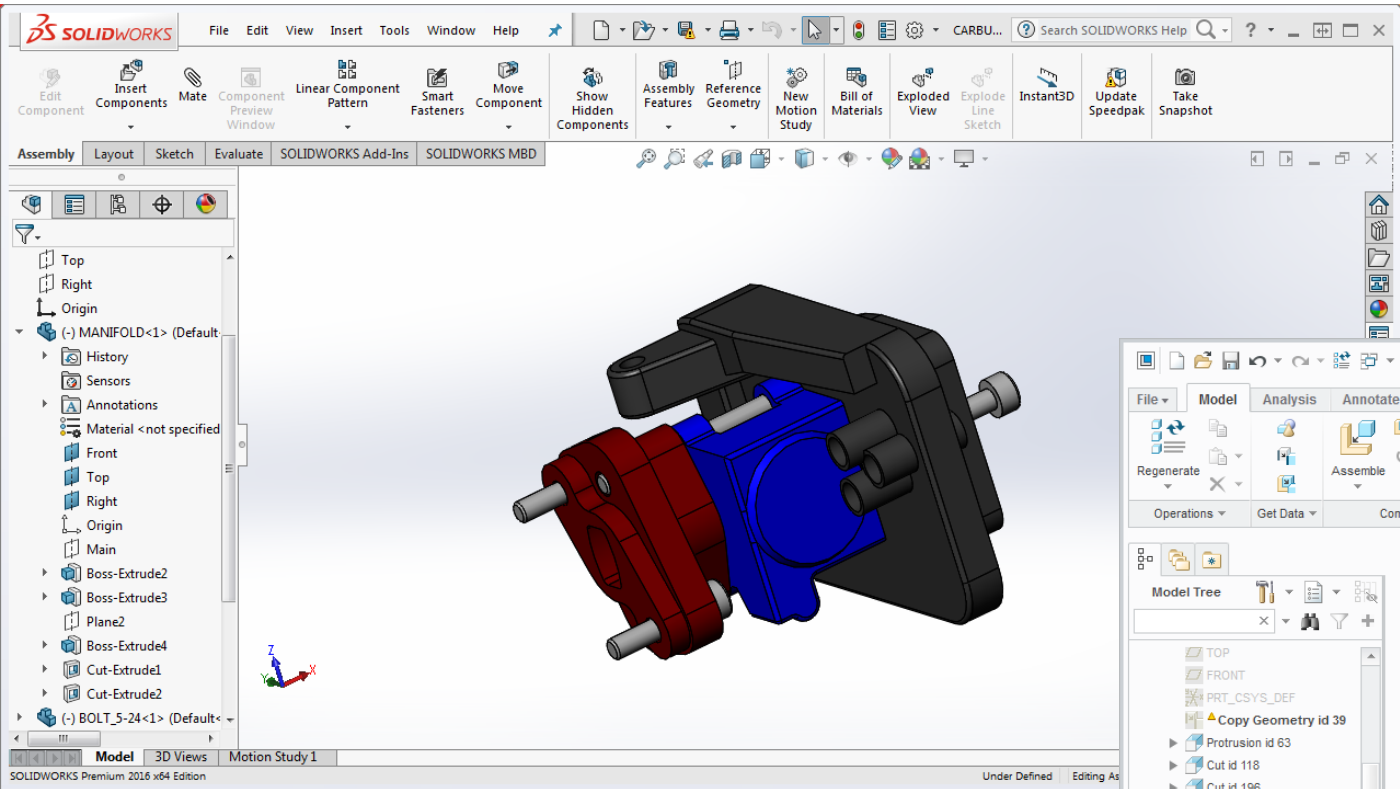
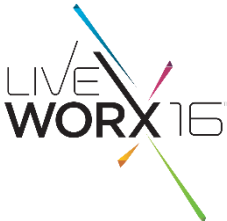
Extensive tool set

Optimized Tools (CADfix)



Extensive tool set *with*
Suggested fix methods

MIGRATE – FEATURES PRESERVED



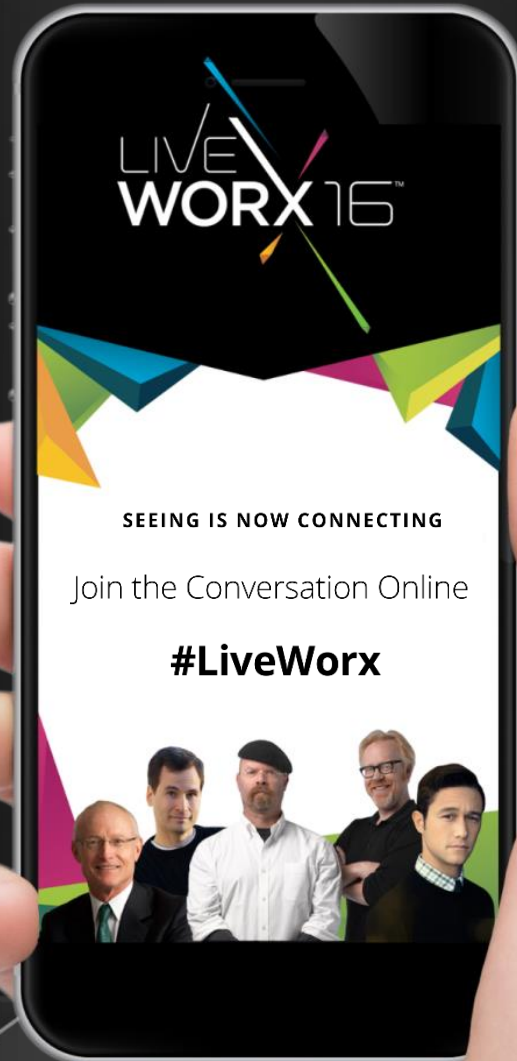
The image features several colorful geometric shapes, primarily triangles and lines, scattered across the background. A large, multi-colored triangular shape is prominent on the right side, composed of various shades of blue, green, yellow, orange, and purple. Several thin, colored lines (blue, pink, green, orange) radiate from the center of the text area. The text 'LIVE WORX 16' is the central focus, with 'LIVE' in a thin, outlined font and 'WORX 16' in a bold, solid black font. A small 'TM' trademark symbol is positioned to the upper right of the '16'.

LIVE
WORX 16™

TAKE A FRESH LOOK AT THINGS

liveworx.com

LIVE
WORX 16™



Please use the
mobile app to rate
this session

Access the latest schedule and join
the conversation on social media
#LIVEWORX #IoT.