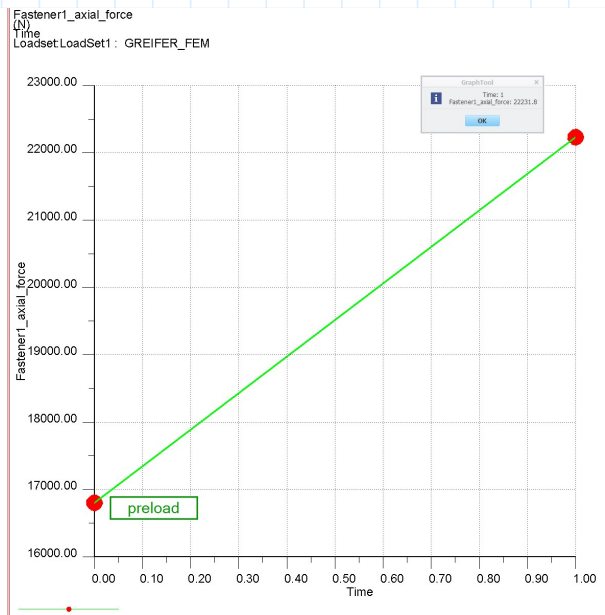
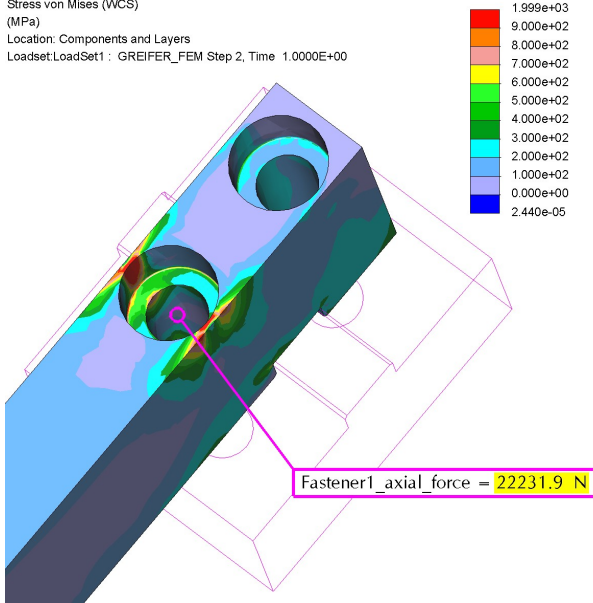


Fastener 1: M8-8.8

$R_p := 640 \text{ MPa}$

$$A_s := 36.6 \text{ mm}^2$$

Stress von Mises (WCS)
(MPa)
Location: Components and Layers
Loadset: LoadSet1 : GREIFER_FEM Step 2, Time 1.0000E+00



$$F_{max} := 22232 \text{ N}$$

$$\sigma_{max} := \frac{F_{max}}{A_s} = 607.432 \text{ MPa}$$

$$\alpha := \frac{\sigma_{max}}{R_p} = 94.9\%$$