

Oxford Analysis Consultants

Mapped meshing

23rd April 2014

Charles Simpson

C00-TESTS REF197 v1.0

Document history

Version	Date	Summary changes	Author
1.0	23 rd April 2014	New Document.	Charles Simpson

Purpose

- Explore mapped meshes a bit.

Contents/Summary results

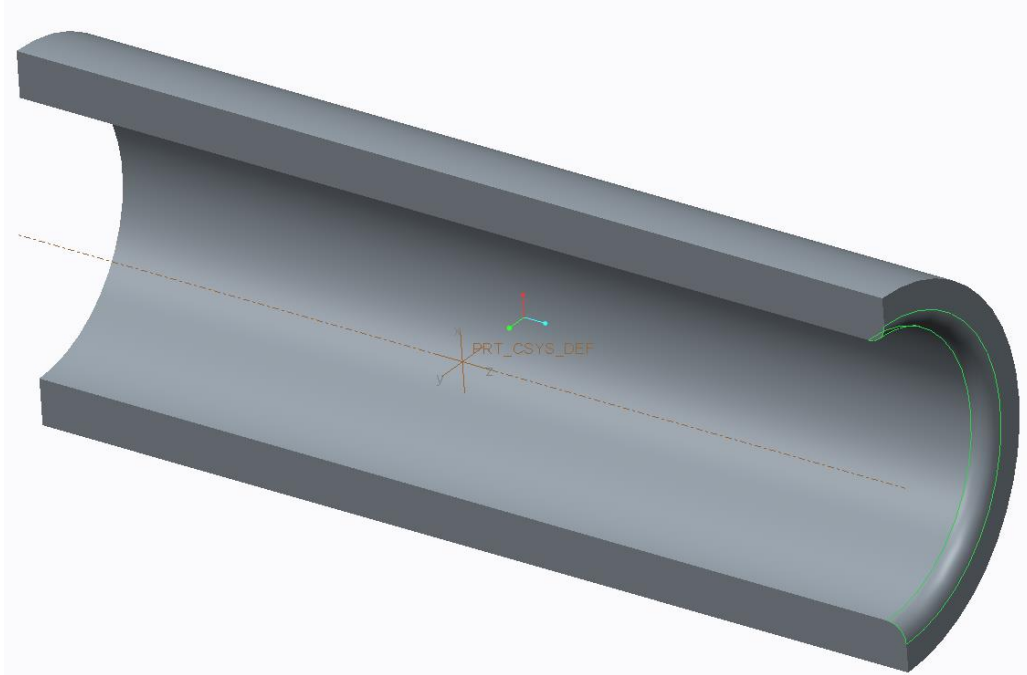
- ‘full chamfer’
 - » Easy with bricks
- ‘part chamfer’
 - » As-is geometry - Mapped Autogem controls created but ignored
 - » Volume region used as work around and bricks worked
- ‘full round’
 - » As-is geometry - Mapped Autogem controls cannot be created
 - » Volume region used as work around, meshed ok with bricks and wedges
- ‘part round’
 - » As-is geometry – failed
 - » Single volume region – failed
 - » Multiple volume regions, various schemes - failed
- ‘part round’ – LEGACY Mechanica interface
 - » Too many downsides to going this route but ...
 - » Revolved shells really very easy

Other notes

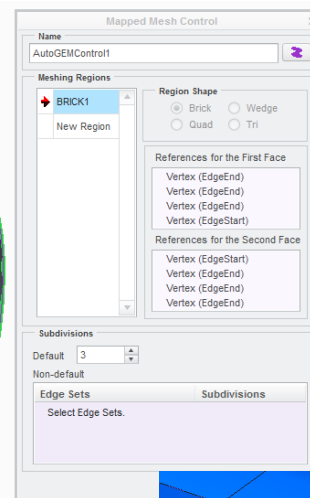
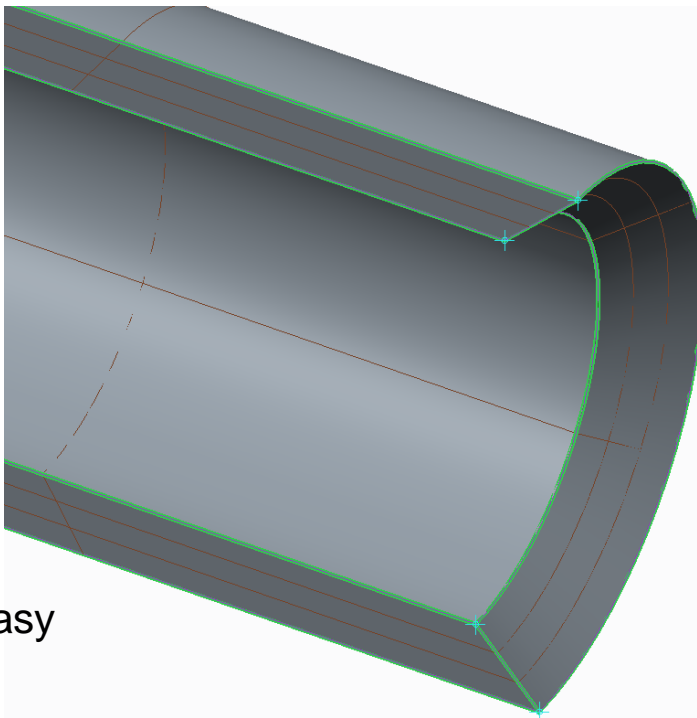
- Couldn't select a volume.

Base geometry

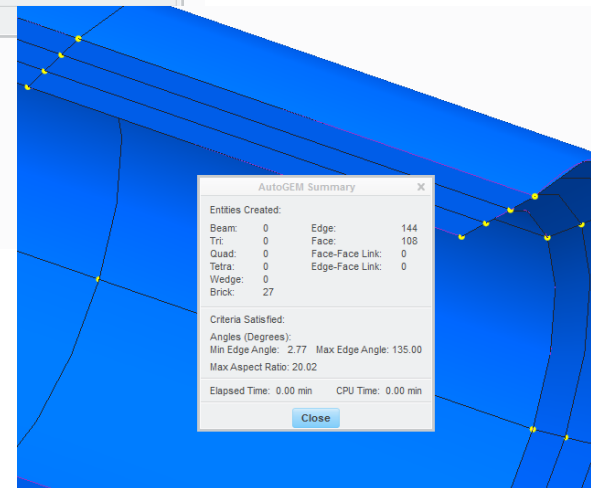
- Single part
- Half tube with either a chamfer or round at one end on inside edge.
- The round/chamfer
 1. The full thickness of the tube (full round/chamfer)
 2. Part thickness of the tube (part round/chamfer)



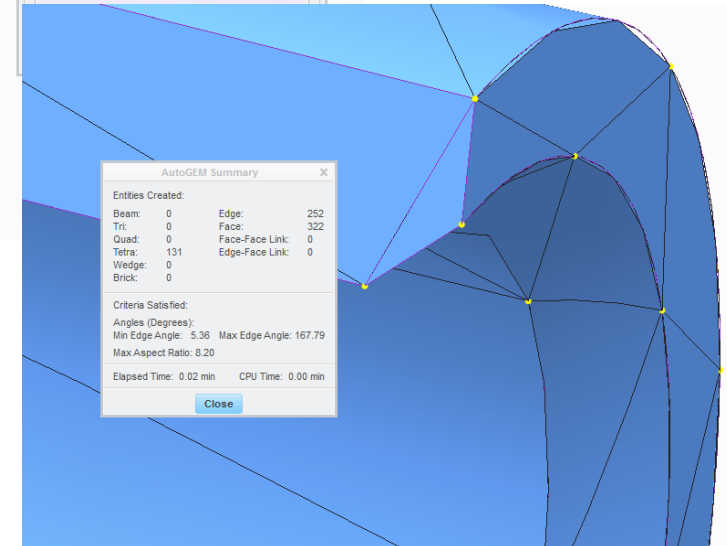
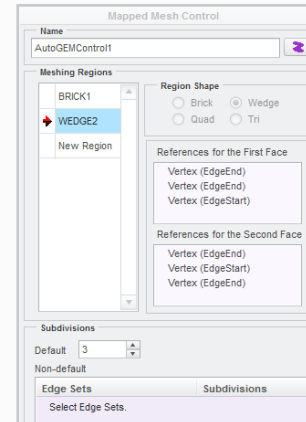
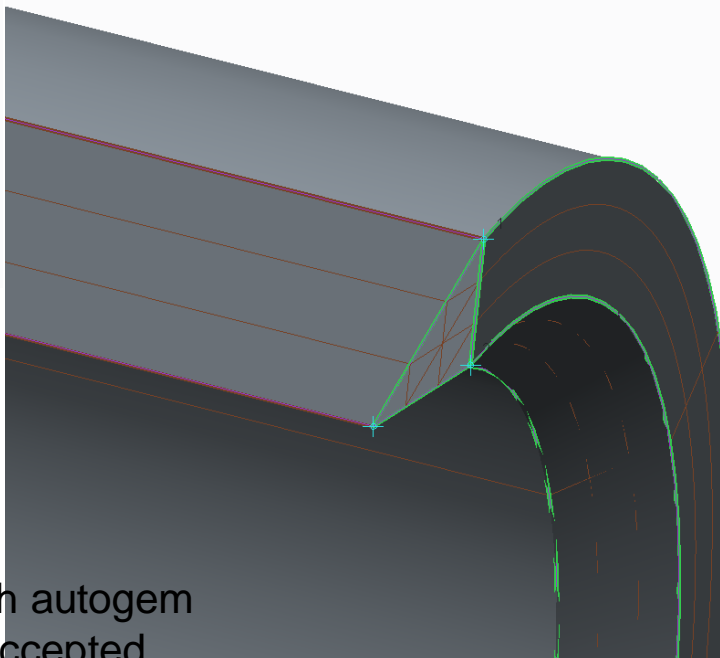
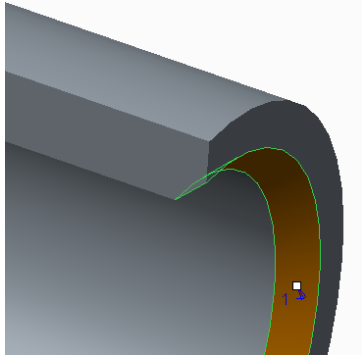
Full chamfer



- Very easy

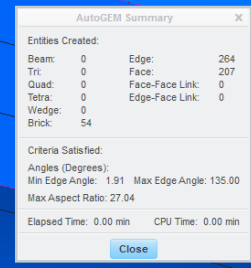
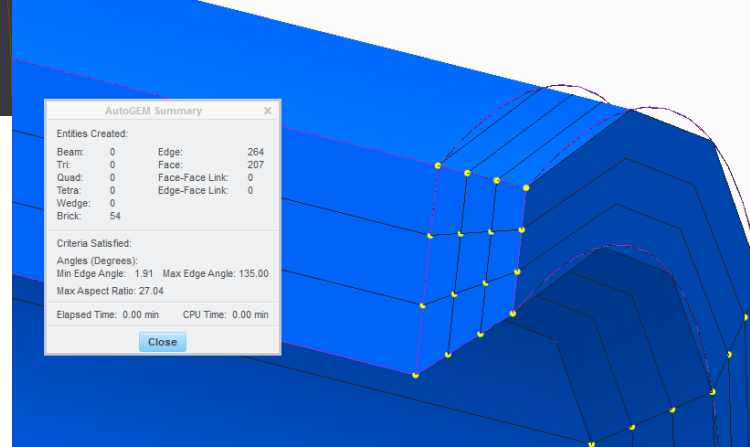
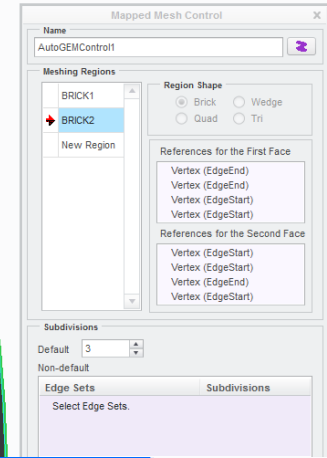
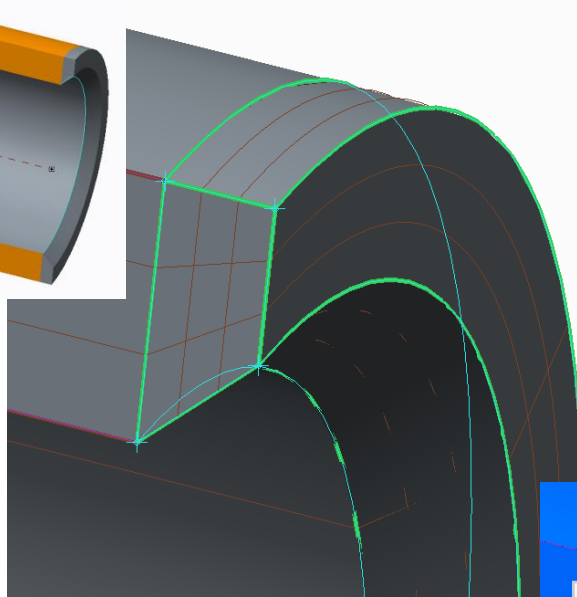
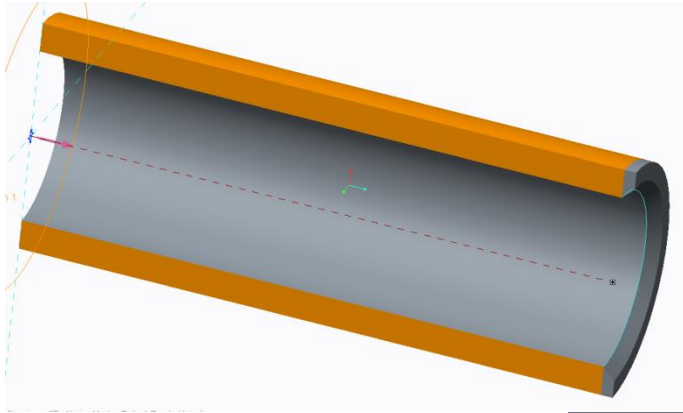


Part chamfer



- Mapped mesh autogem instructions accepted
- Autogem ignores mapped mesh controls and meshes with tets.
- Using degenerates for wedge region makes no difference.

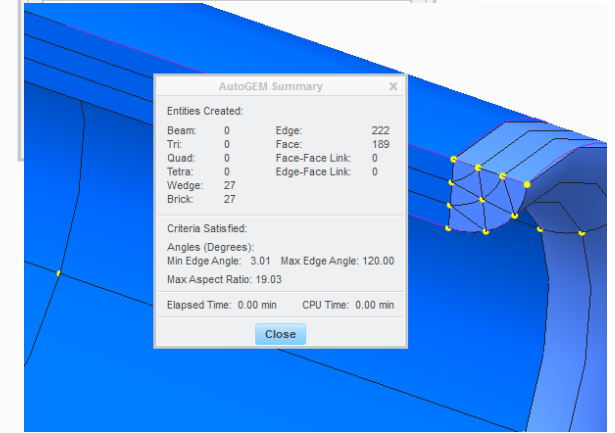
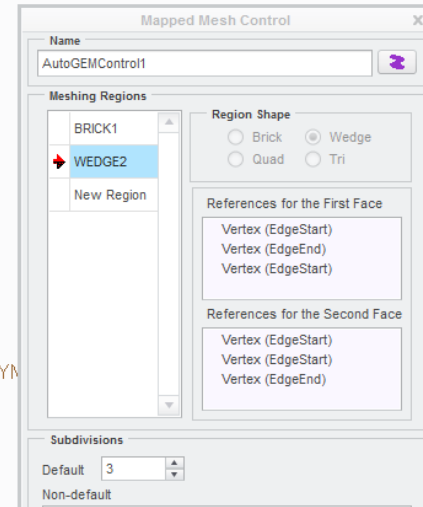
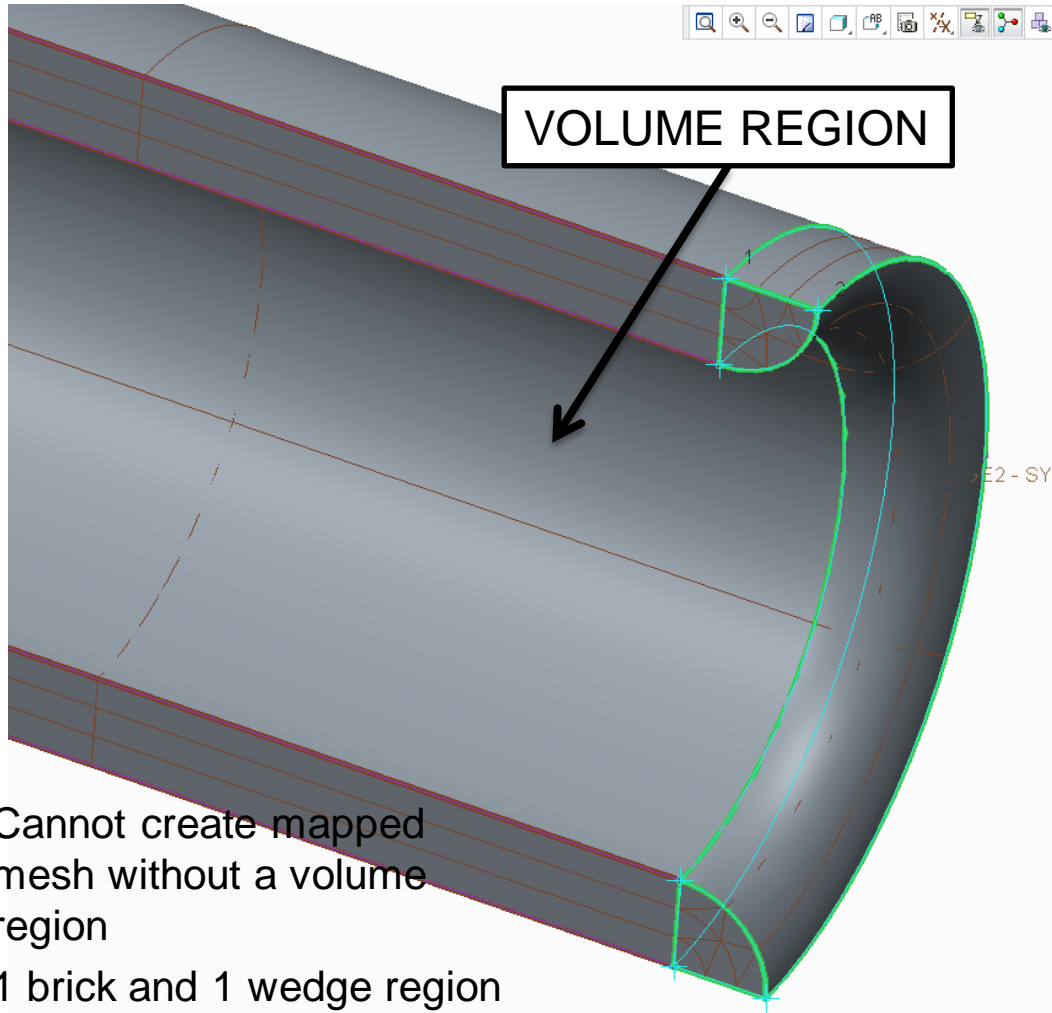
Part chamfer + volume region - bricks



- Use volume region to overcome previous issue. (extra prep)
- Works with bricks ok
- Contact problems have additional surfaces to consider.

Mapped meshes - C00-TESTS REF197-v1.0

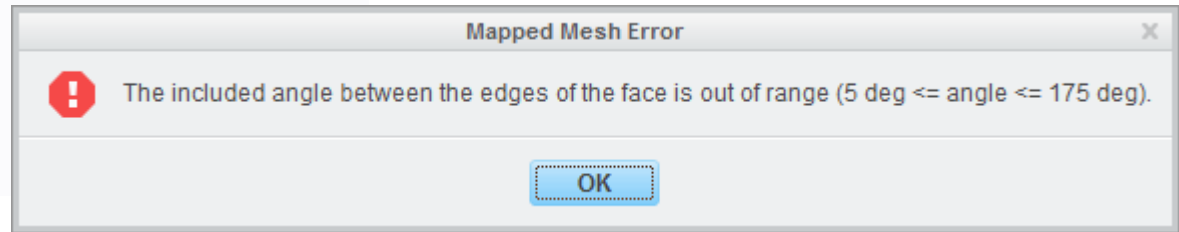
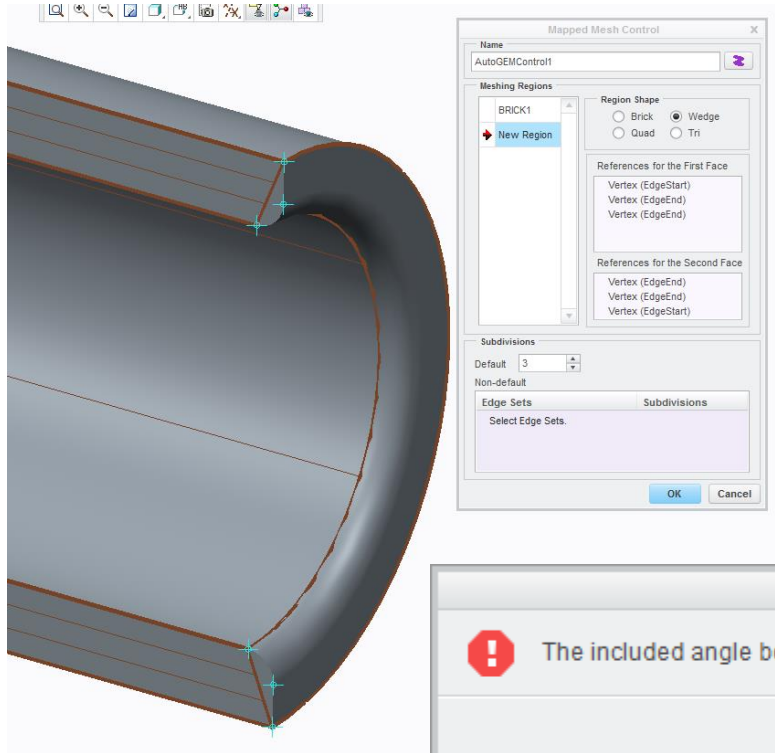
Full round



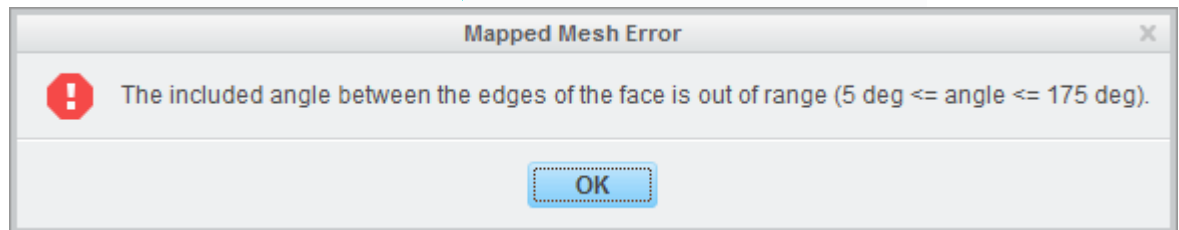
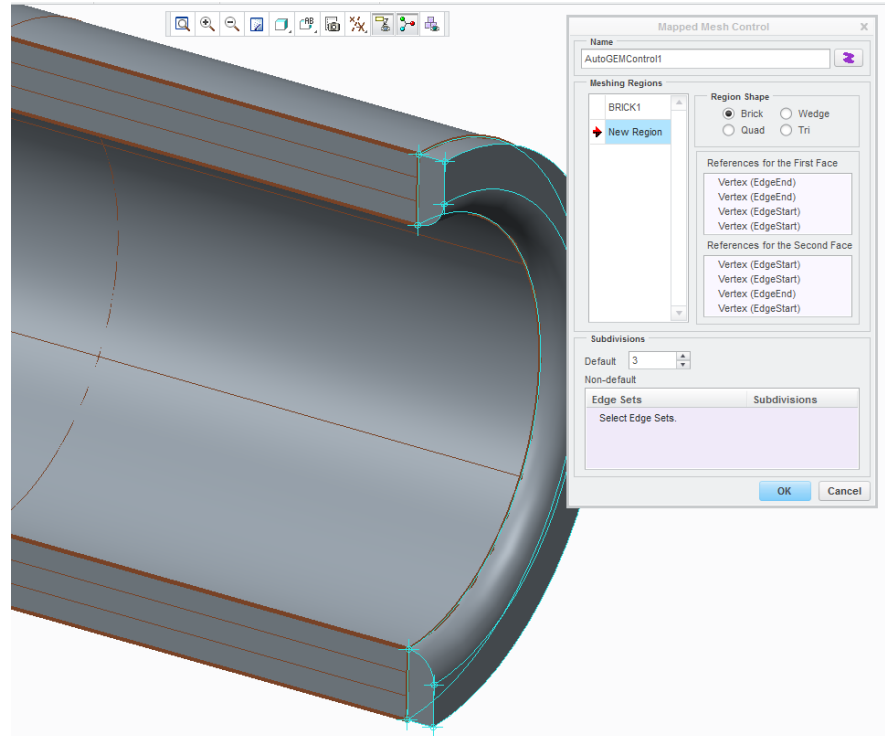
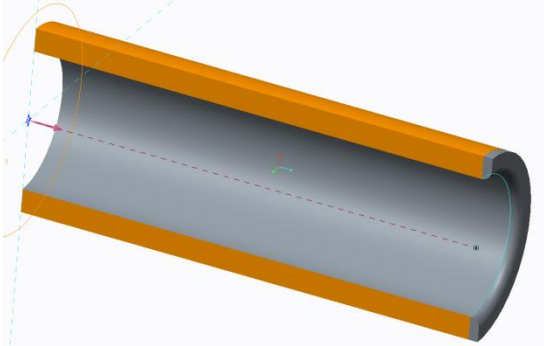
- Cannot create mapped mesh without a volume region
- 1 brick and 1 wedge region required then mapped controls work.

Mapped meshes - C00-TESTS REF197-v1.0

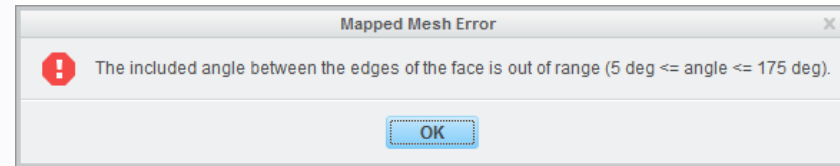
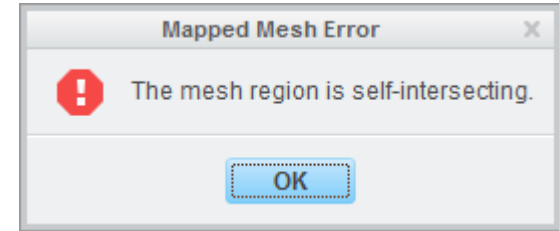
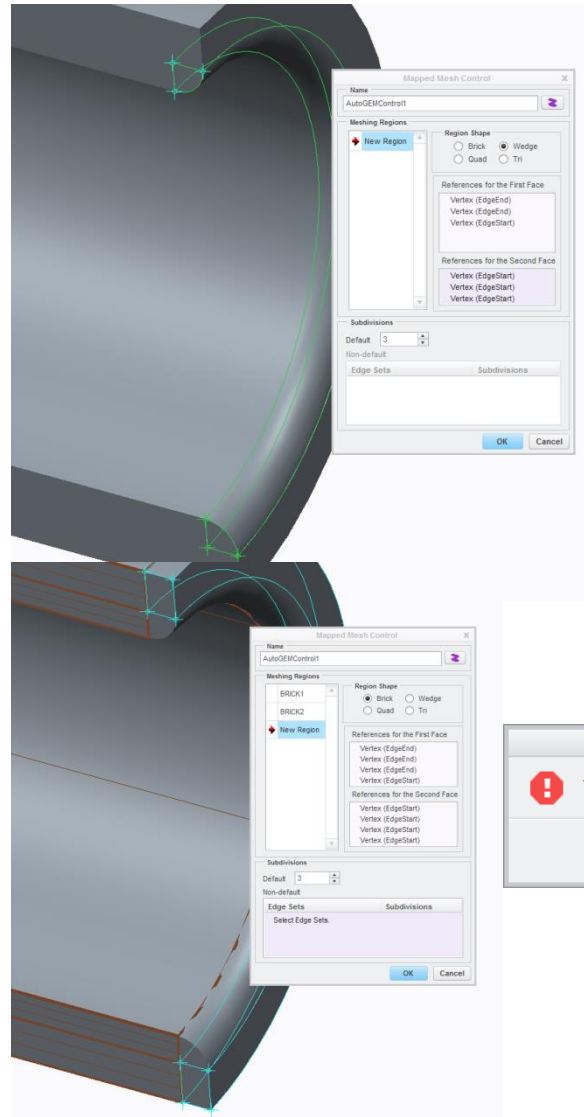
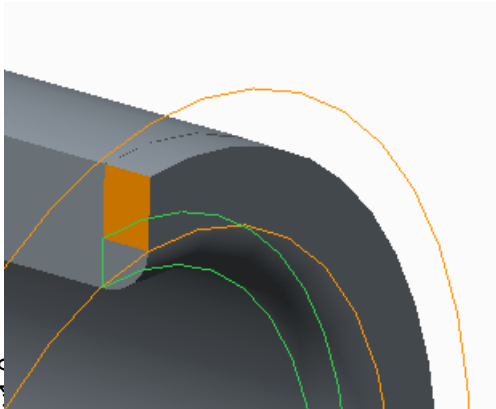
Part round – attempt 1



Part round + volume region – attempt 2

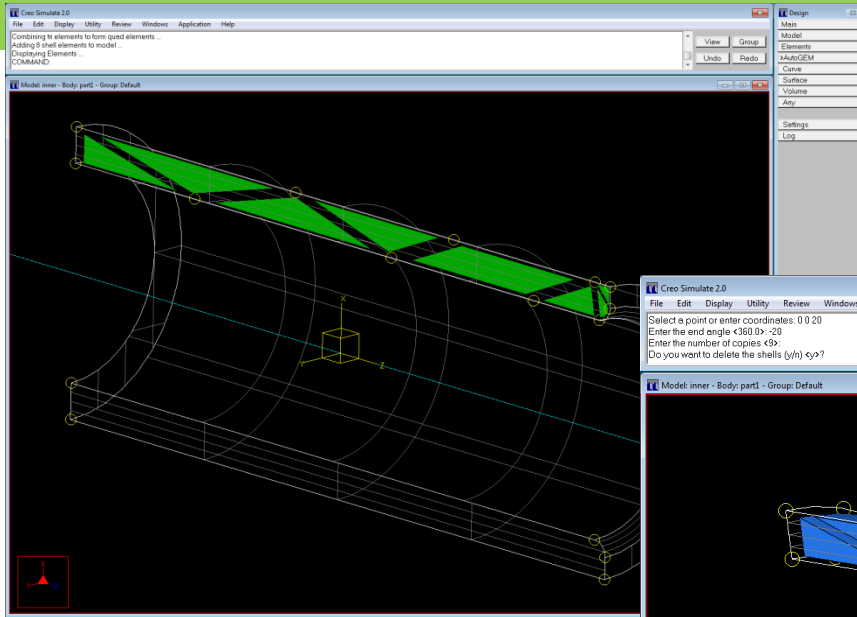


Part round + 2 volume regions attempts 3&4

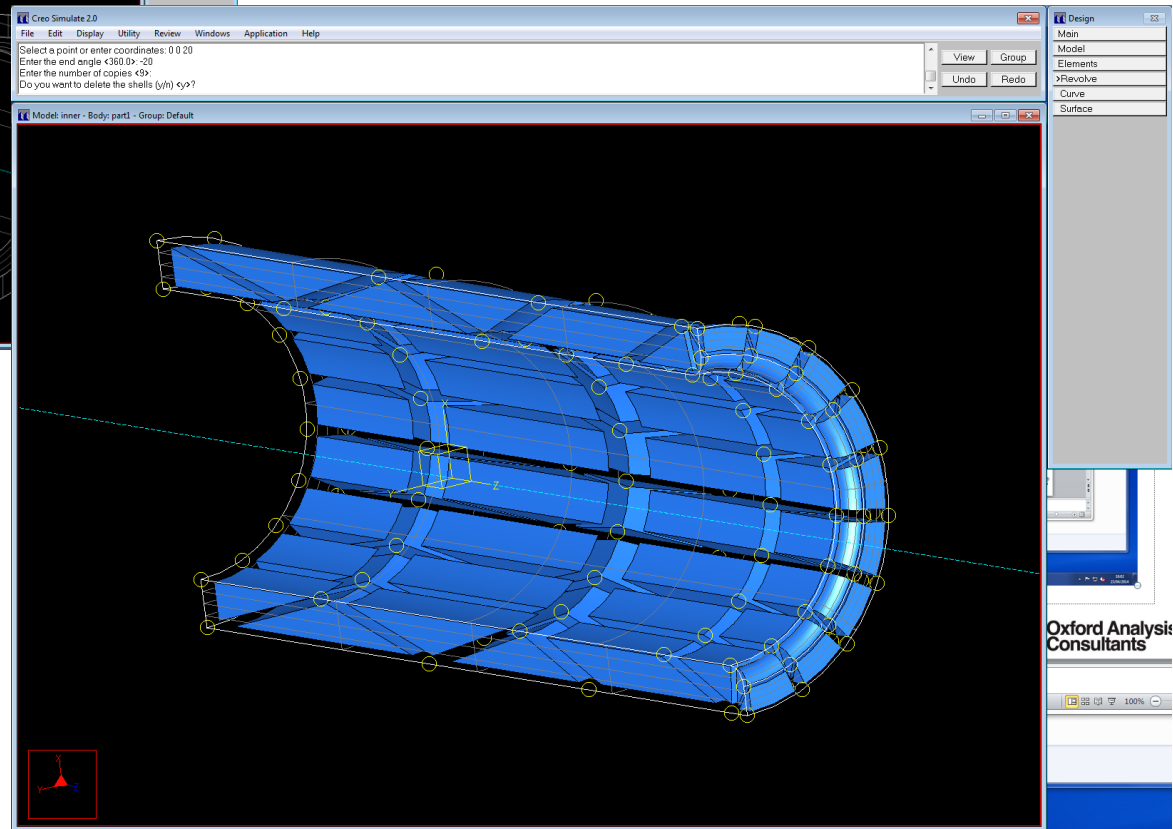


Mapped meshes - C00-TESTS REF197-4-8

Part round – legacy revolve



- Very easy
- Manual meshing with shells possible before revolve (if one desires)



Final slide

End of presentation