

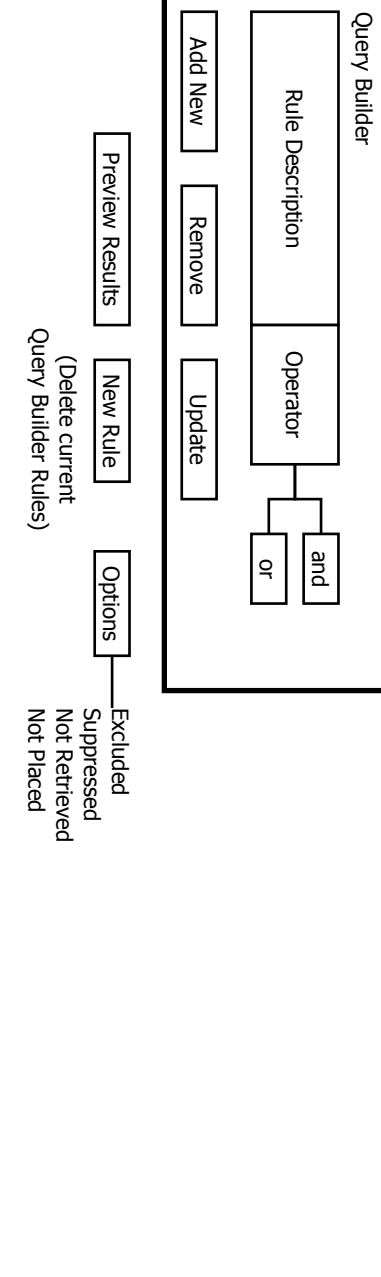
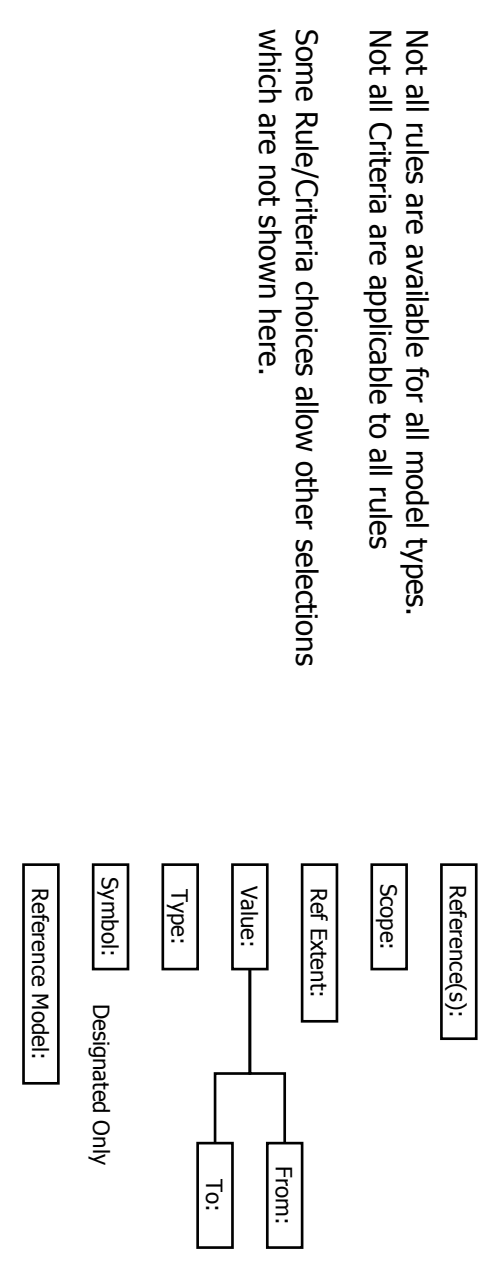
# Rule Editor/ Search Tool

"Look in:" is for assemblies

Look for:	Look by:	Look in:	Include Submodels
3D Curve	3D Curve, Feature, Group, Solid Model		
Annotation	Annotation, Annotation Element, Feature, Group		
Annotation Element	Annotation, Annotation Element, Driven Dimension, Feature Axis, Feature, Group, Solid Model		
Axis	<not yet>		
Body	[cable]		
Cable	<not yet>		
Cam Follower	[Channel]		
Channel	[Component]		
Component	[Component]		
Component or Feature	[Component or Feature]		
Connections	<not yet>		
Coordinate System	Coordinate System, Feature, Group, Solid Model		
Coordinate System Axis	[Coordinate System Axis]		
Coordinate System Tag	[Coordinate System Tag]		
Cosmetic Feature	Cosmetic Feature, Solid Model		
Curve Feature	Curve Feature, Solid Model		
Datum	Datum, Feature, Group, Solid Model		
Datum Axis Tag	[Datum Axis Tag]		
Datum Plane	Datum Plane, Feature, Group, Solid Model		
Datum Plane Tag	[Datum Plane Tag]		
Datum Point Tag	[Datum Point Tag]		
Datum Target	[Datum Target]		
Dimension	Dimension, Feature, Group, Solid Model		
Drawing Item	<not yet>		
Drawing Symbol	< not yet>		
Driven Dimension	Annotation Element, Driven Dimension, Feature, Group		
Edge	Edge, Feature, Group, Solid Model		
Feature	<several>		
Gear Pair	<not yet>		
Geometric Tolerance	Annotation Element, Feature, Geometric Tolerance, Group, Solid Model		
Group	<several>		
Internal Param Note	[Internal Param Note]		
Location	[Location]		
Mechanism Object	<not yet>		
Note	Annotation Element, Feature, Group, Note, Solid Model		
Overbraid	[Overbraid]		
Part	<several>		
Point	Feature, Group, Point, Solid Model		
Quilt	[Quilt]		
Reference Dimension	Reference Dimension, Solid Model		
Rotation Axis	<not yet>		
Servo Motor	<not yet>		
Set Datum Tag	Annotation Element, Feature, Group, Set Datum Tag, Solid Model, Surface		
Shown Datum	[Shown Datum]		
Simulation Modeling Object	<not yet>		
Sketch	Sketch, Solid Model		
Slot Axis	< not yet>		
Slot Follower	< not yet>		
Snap Line	< not yet>		
Solid Geometry	[Solid Geometry]		
Solid Model	<several>		
Surface	Feature, Group, Solid Model, Surface		
Surface Finish	Annotation Element, Feature, Group, Solid Model, Surface Finish		
Symbol	Annotation Element, Feature, Group, Solid model, Symbol		
Translation Axis	<not yet>		

Attributes	History	Status	Geometry	Criteria
Rule - Name Type Expression Size Description Property	Rule - ID Number Failed Feature Last Feature All	Rule - Regeneration Layer Display Parent/Child Copied Refs	Rule - Zone Distance Exterior Comps	Category State Comparison: Reference Type: Reference(s): Scope: Ref Extent: Value: Type: Symbol: Reference Model:

Not all rules are available for all model types.  
 Not all Criteria are applicable to all rules  
 Some Rule/Criteria choices allow other selections which are not shown here.



- Item Name
- Item ID
- Item Number
- Within Models
- Across Models