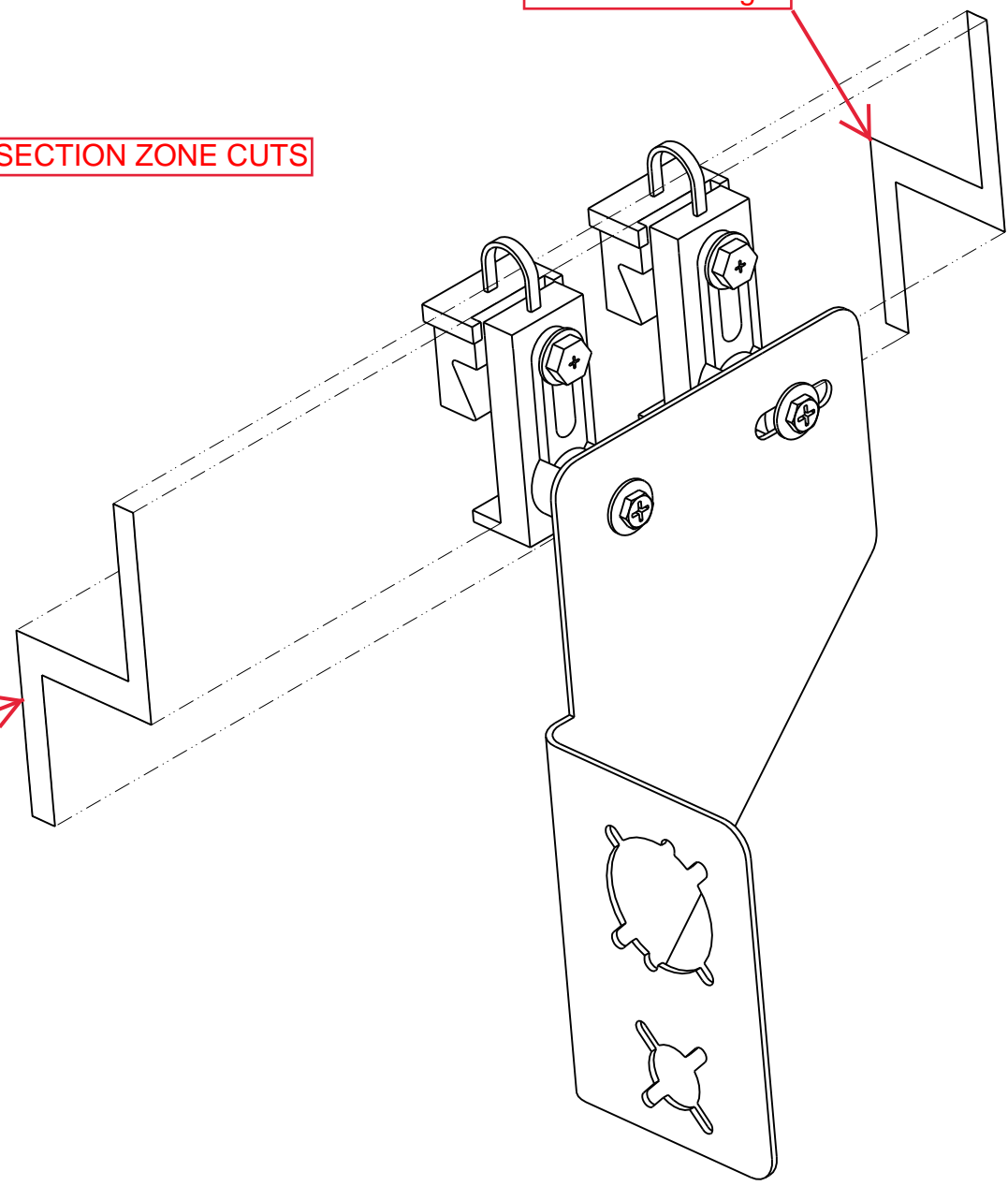


Why do the hidden portions of the edges show up on the section cut edges

SECTION ZONE CUTS

How do you modify the lines on the section cut edges



SCALE 3/2

THE INFORMATION CONTAINED HEREIN IS CONFIDENTIAL AND PROPRIETARY TO PANASONIC AVIONICS CORPORATION AND SHALL NOT BE REPRODUCED OR DISCLOSED IN WHOLE OR IN PART OR USED FOR ANY DESIGN, MANUFACTURE OR OTHERWISE EXCEPT WHEN SUCH USER POSSESSES DIRECT, WRITTEN AUTHORIZATION FROM PANASONIC AVIONICS CORPORATION.

SIZE	CAGE CODE	DRAWING NUMBER	REV
D	0FF57	IS70174	
SCALE	NONE	CREO	SHEET 16 OF 34
COMPUTER GENERATED DRAWING DO NOT CHANGE MANUALLY			

