

CREO PARAMETRIC 4.0

SNEAK PEEK

WHAT'S NEW IN MBD

Raphael Nascimento
Product Manager

9 June, 2016



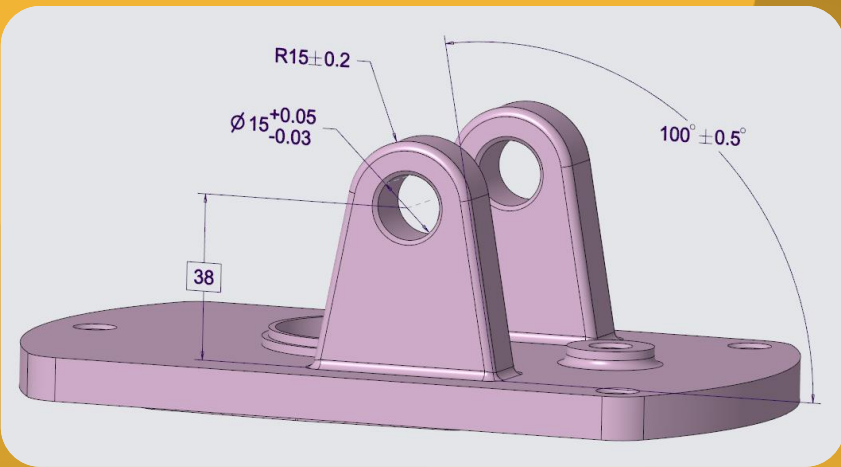
ptc

A large white number "4" is centered within a white-outlined circle. The circle is positioned on the left side of a white horizontal band that spans the width of the slide. The background of the slide is a solid yellow color with a subtle gradient and some darker yellow geometric shapes at the bottom.

DIMENSION ENHANCEMENTS

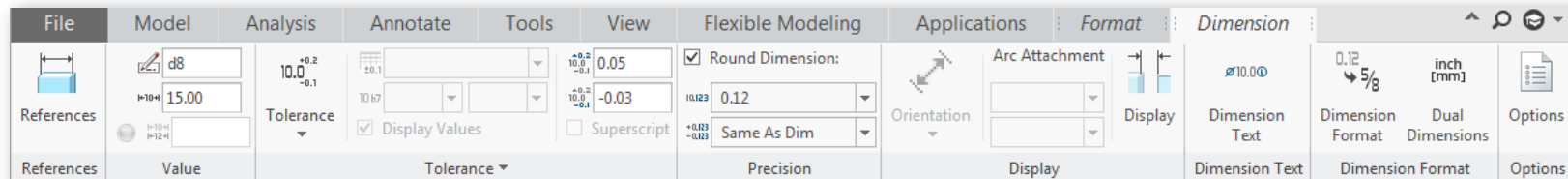
QUICKLY CREATE STANDARDS-COMPLIANT DIMENSIONS

CREATION AND EDITING
SEMANTIC REFERENCES
IMPROVED DIMENSION TEXT
IMPROVED DIM ORIENTATION



CREO 4.0 DIMENSION ENHANCEMENTS

- Creation and editing:
 - Placement workflow – immediate preview
 - Contextual ribbon for editing properties
- Semantic references
 - References collector – including DRIVING dimensions
 - Dimension origin support
- Improved dimension text
 - Comprehensive text symbol palette in ASME and ISO font style
 - Option to exclude prefix/suffix from basic dimension box
- Improved control of dimension orientation
 - Dimensions between arcs/circles/cylinders
 - Choose Min / Max / Center for each arc attachment
 - Dimension placed on single linear entity
 - Horizontal, vertical, slanted, etc...



QUICKLY CREATE STANDARDS-COMPLIANT DIMENSIONS

CREATION AND EDITING SEMANTIC REFERENCES IMPROVED DIMENSION TEXT IMPROVED DIM ORIENTATION

Benefits

- Save time by quickly creating and editing Dimensions

INTUITIVE CREATION AND EDITING WORKFLOWS

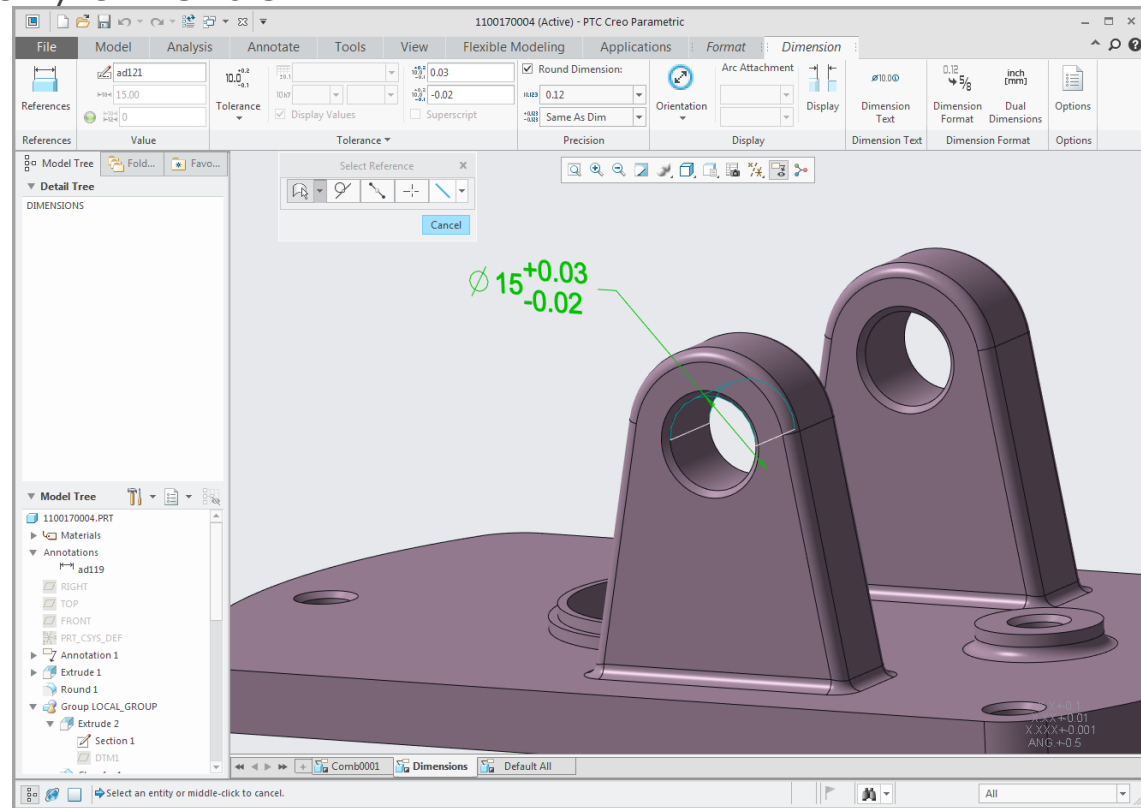


Immediate preview of dimension on creation

- Dimension preview attached to the cursor

Seamlessly edit properties of a dimension without interrupting the creation flow

- Contextual ribbon tab for editing properties of the dimension
- No need to exit dimension creation to edit properties of any dimension



QUICKLY CREATE STANDARDS-COMPLIANT DIMENSIONS

CREATION AND EDITING SEMANTIC REFERENCES IMPROVED DIMENSION TEXT IMPROVED DIM ORIENTATION

Benefits

- Conform to latest GD&T standards
- Facilitate MBD with machine-readable, fully semantic dimensions

FULLY SEMANTIC REFERENCES FOR DIMENSIONS

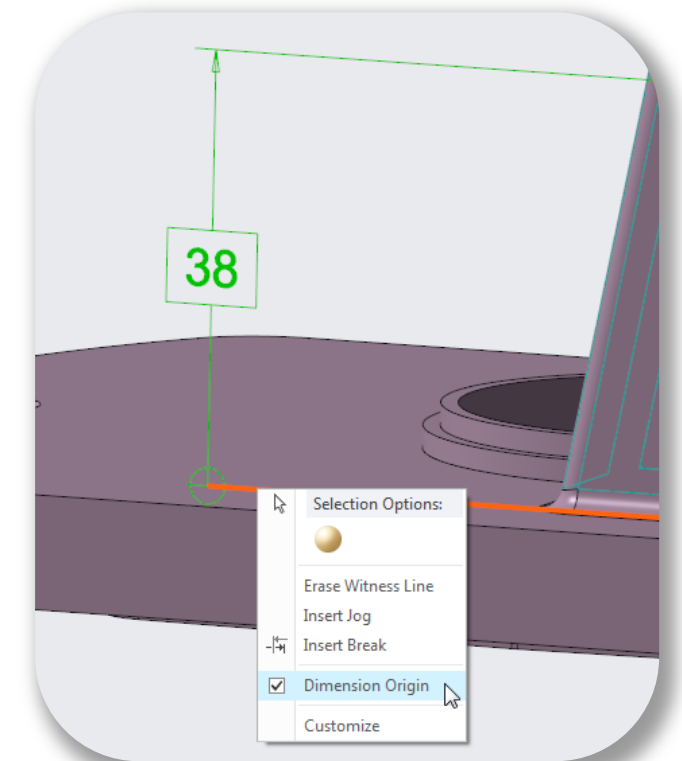
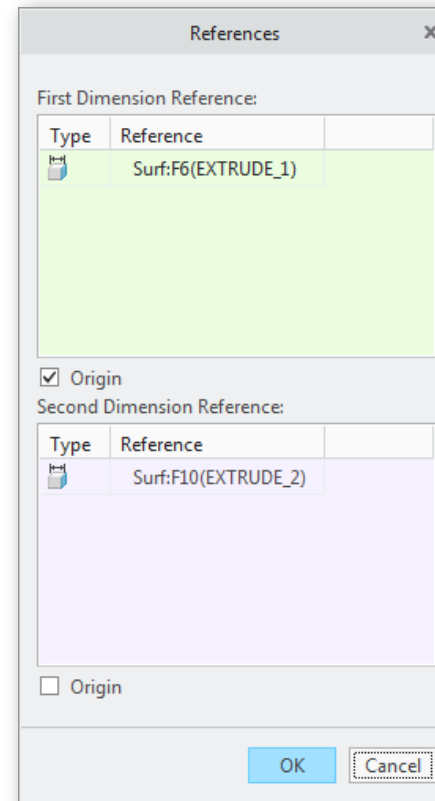


Semantic references collector

- Available for all dimensions, including DRIVING dimensions

Dimension origin support

- Proper graphical appearance of dimension origin
- Associated with semantic reference



QUICKLY CREATE STANDARDS-COMPLIANT DIMENSIONS

CREATION AND EDITING SEMANTIC REFERENCES
IMPROVED DIMENSION TEXT
IMPROVED DIM ORIENTATION

Benefits

- Save time by quickly creating and editing Dimensions

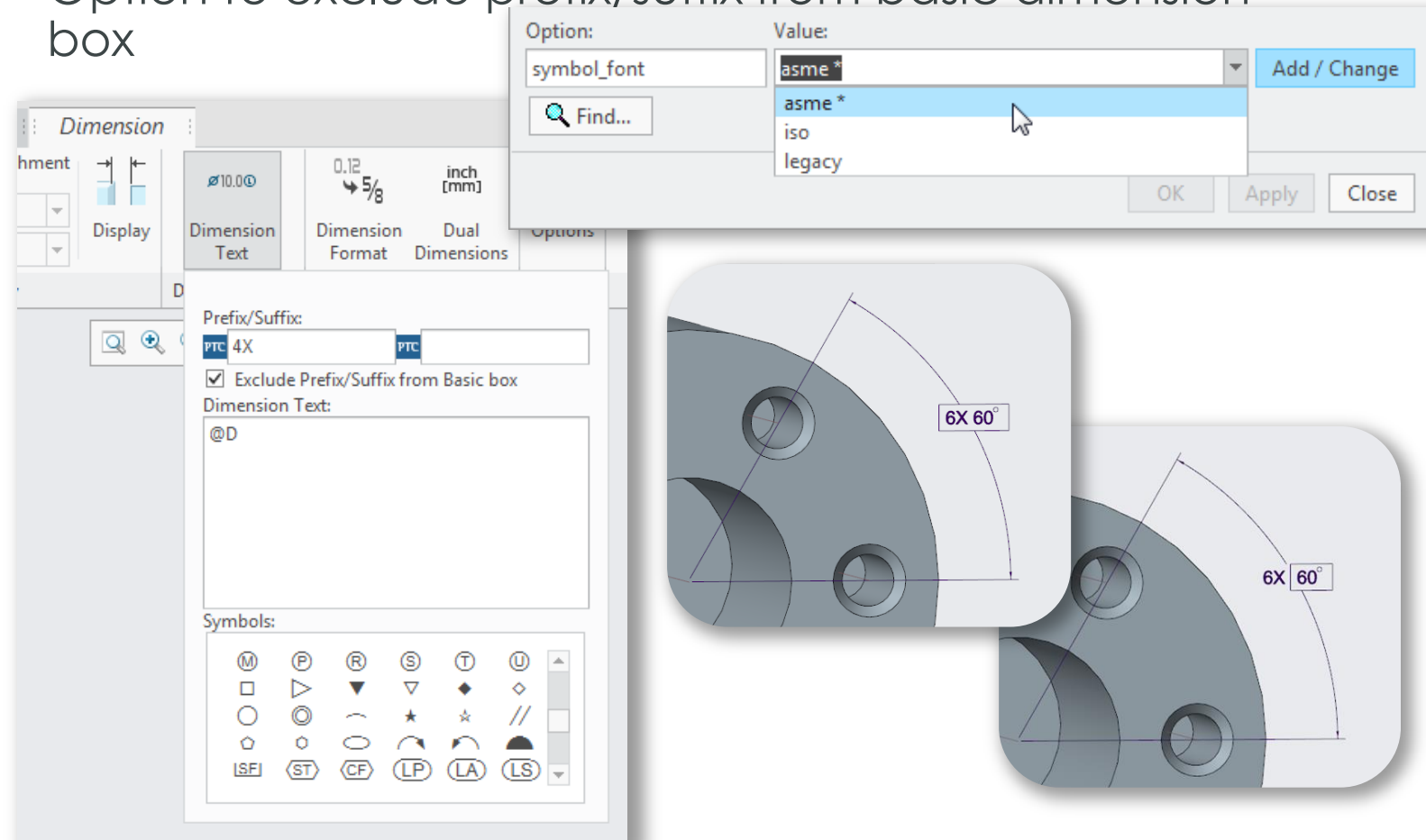
IMPROVED DIMENSION TEXT



Comprehensive text symbol palette in ASME and ISO font style

- Detail option: `symbol_font`

Option to exclude prefix/suffix from basic dimension box



QUICKLY CREATE STANDARDS-COMPLIANT DIMENSIONS

CREATION AND EDITING
SEMANTIC REFERENCES
IMPROVED DIMENSION TEXT
IMPROVED DIM ORIENTATION

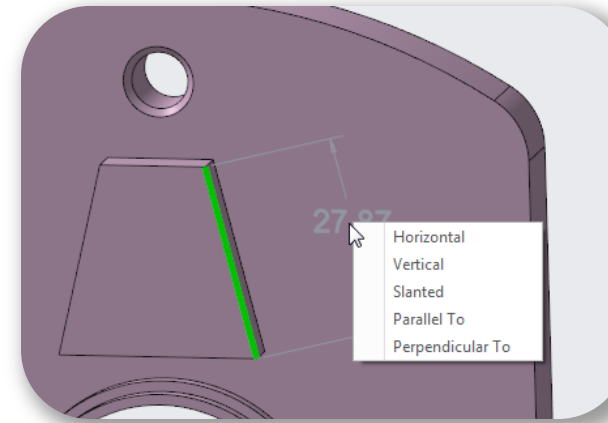
Benefits

- Save time by editing orientation of existing dimension and avoiding delete/re-create workflow

IMPROVED DIMENSION ORIENTATION

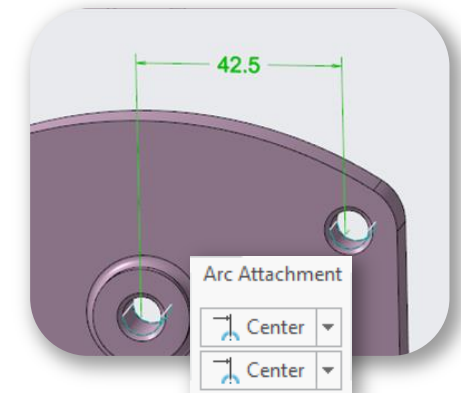
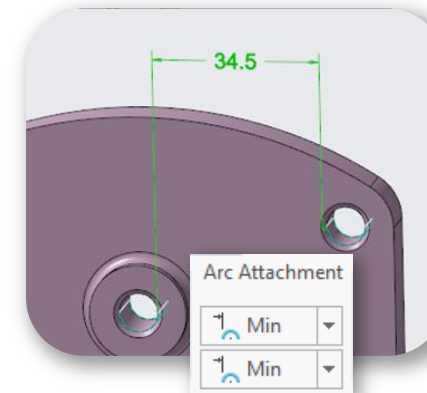
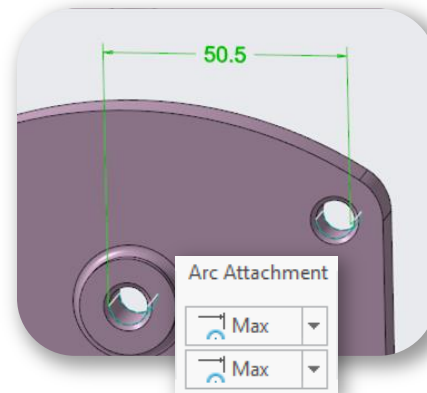


Dimension placed on single linear entity
– Horizontal, vertical, slanted, etc...



Dimensions between arcs/circles/cylinders

- Choose Min / Max / Center for each arc attachment





ptc