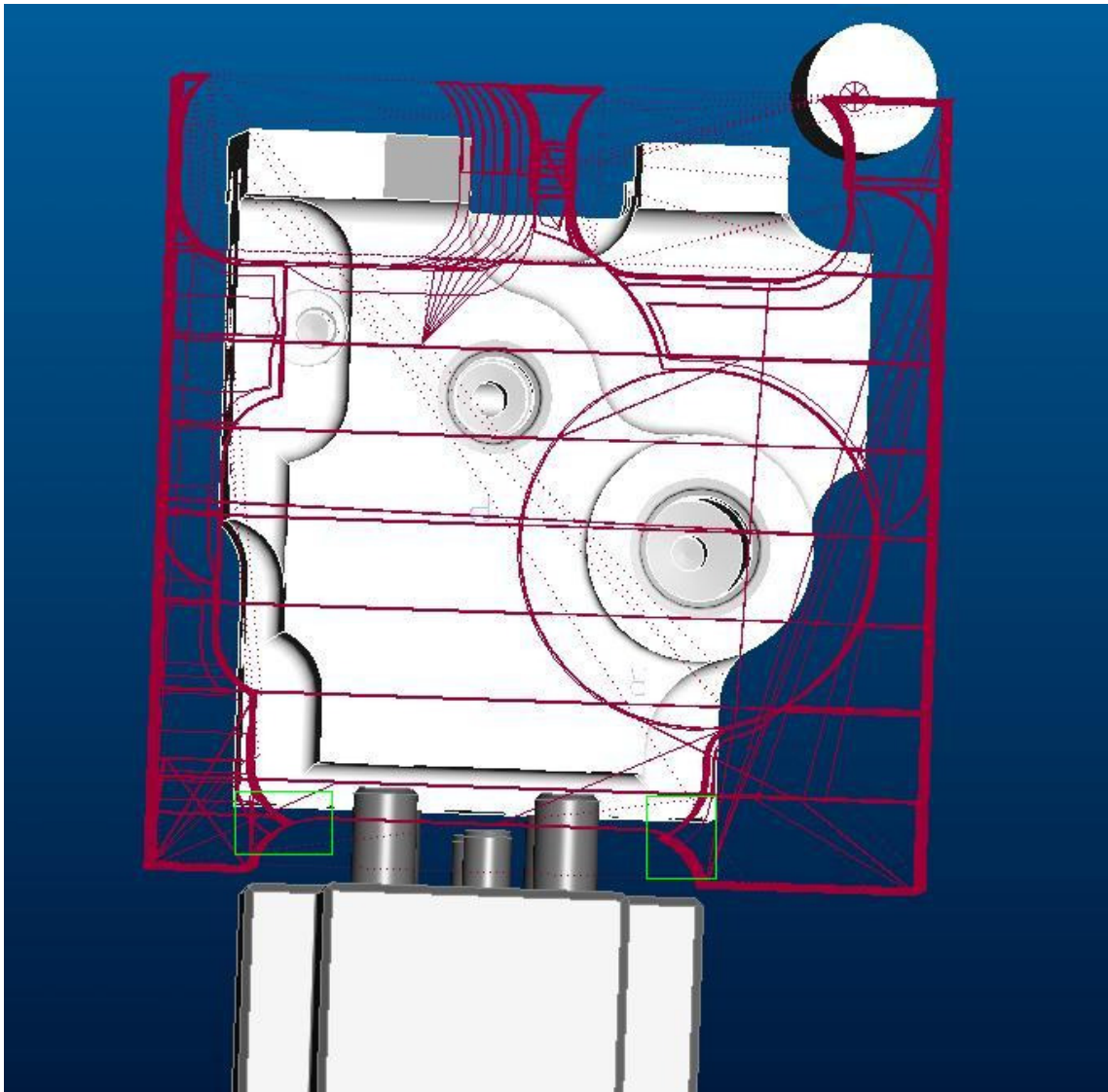
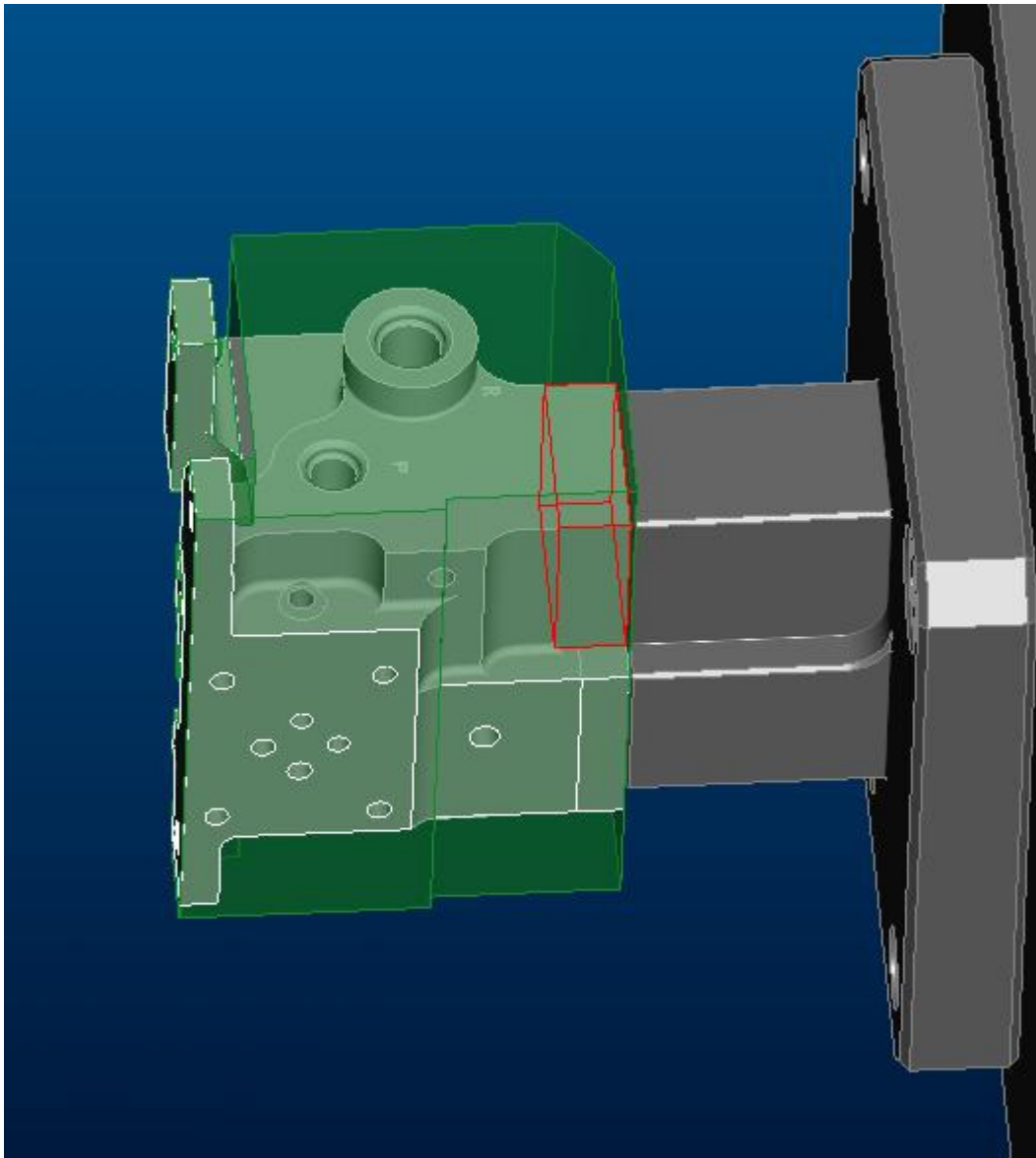


I would like to rough the area within red square, but as you can see there's a space between part raw material and fixture device. I decide to use volume by volume.



the tool was invading the space between part and fixture and i don't want it.

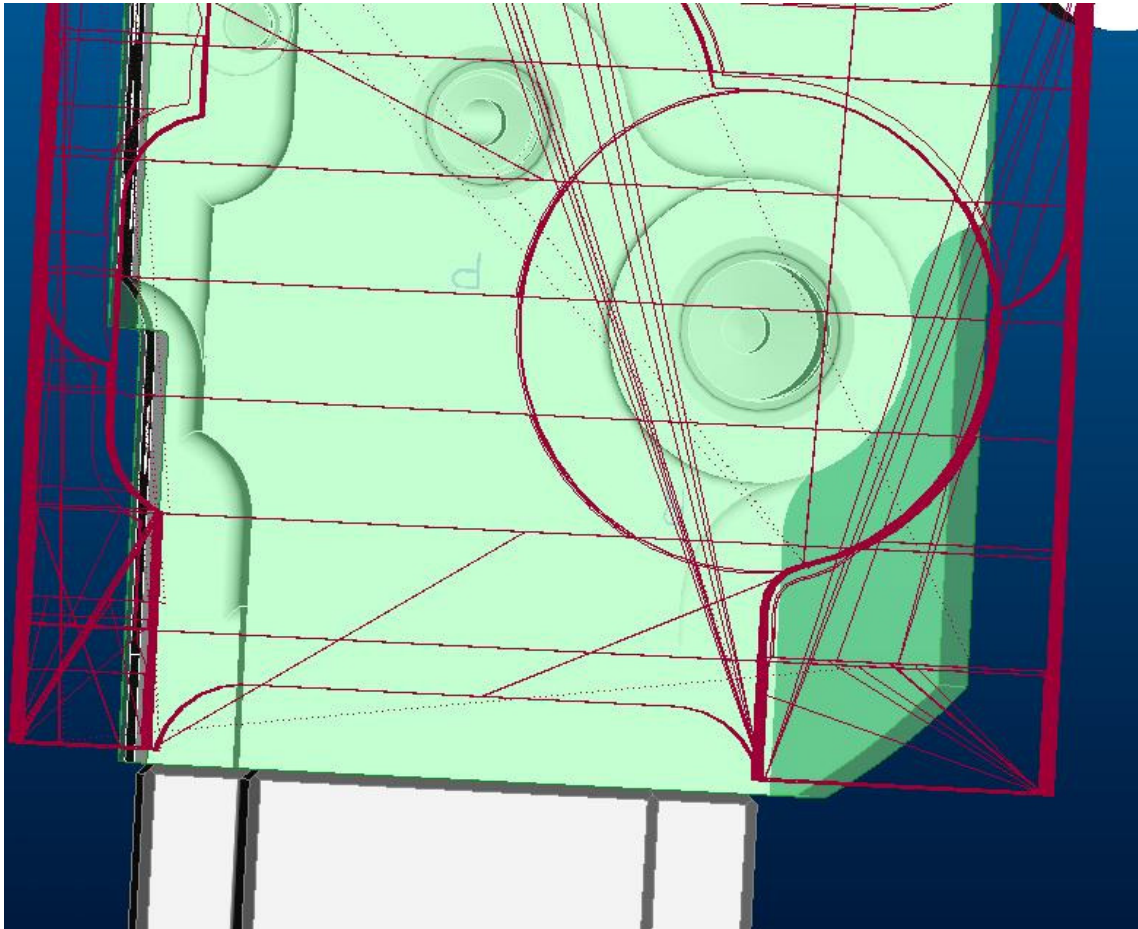


i try a lot of things before to ask for help, I try to use a mill window and limit the toolpath but this limit is from the beginning to the end if I use mill window I need to make new nc sequence to remove material on the top that remains from mill window.

Therefore I create a fixture protrusion on space between part and fixture device.

Group DESB_FRETE_SABUGO	50
Extrude 3 [MILL_VOL_2 - MILL	51
Trim id 1108278 [MILL_VOL_2	52
Trim id 1260429 [MILL_VOL_2	53
Group DESB_TRASEIRO_SABU	54

After create Mill volume and trim i create other trim using the fixture create before.



And it works as you can see.

