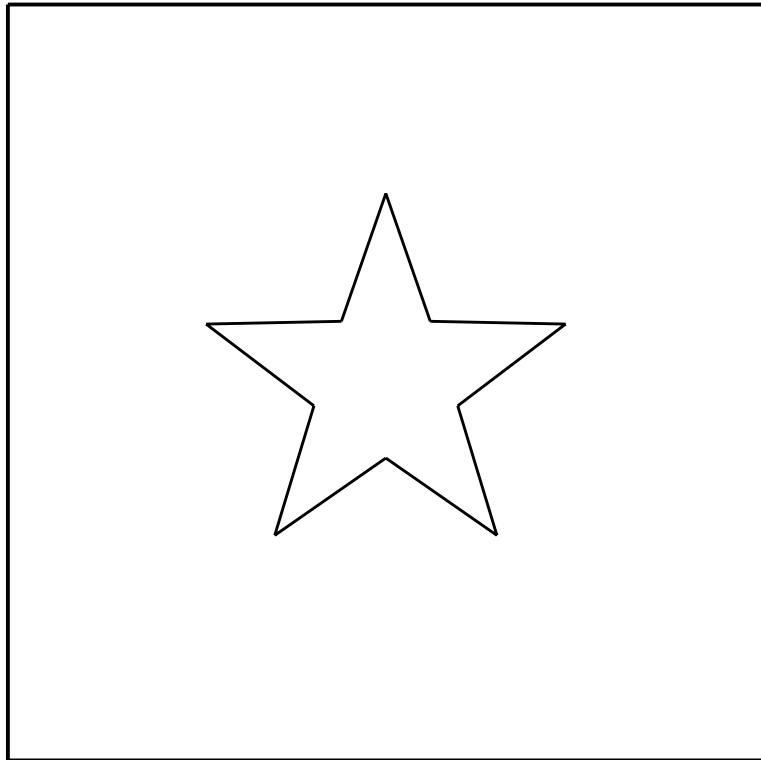
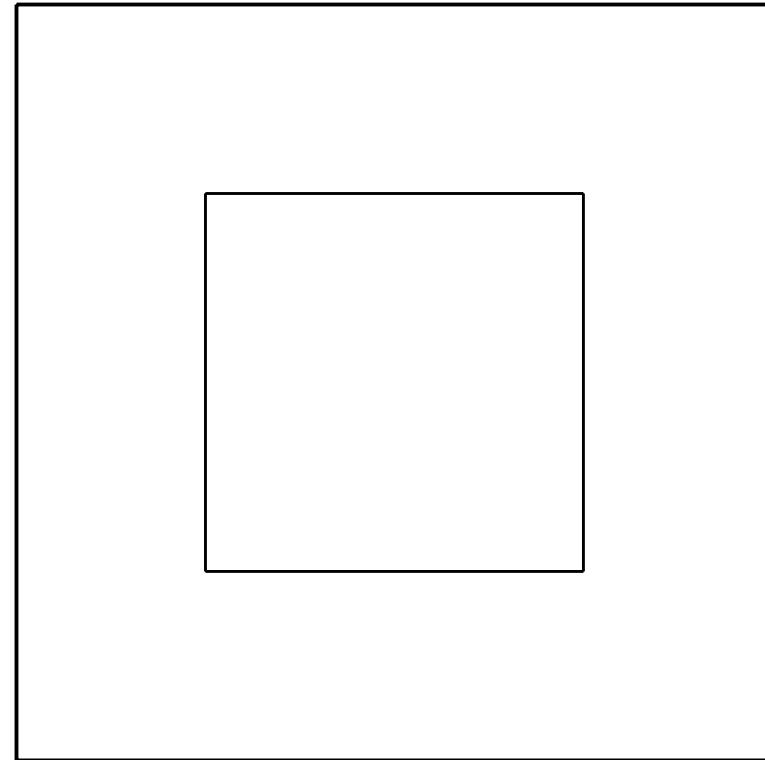


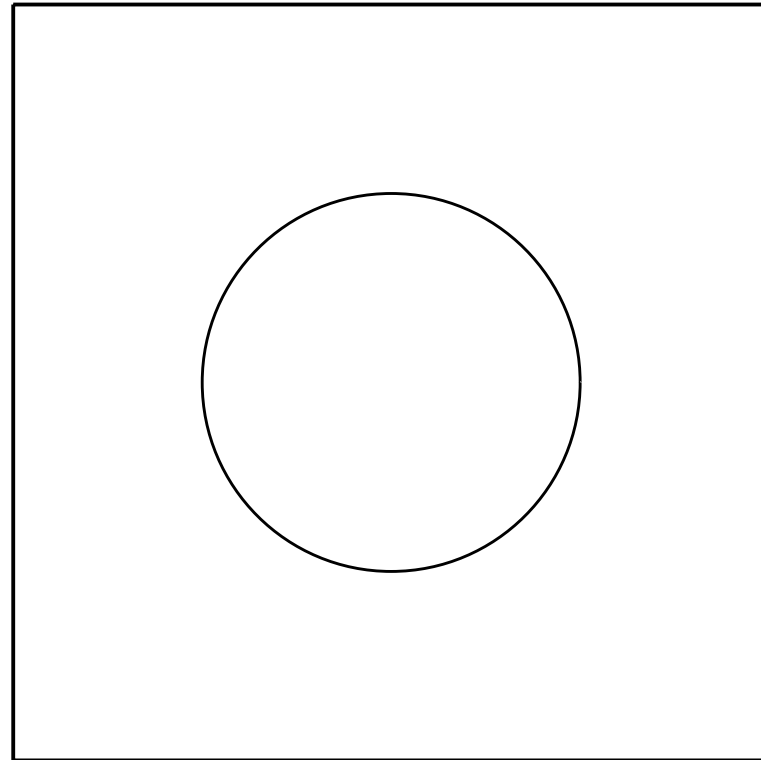
TOP



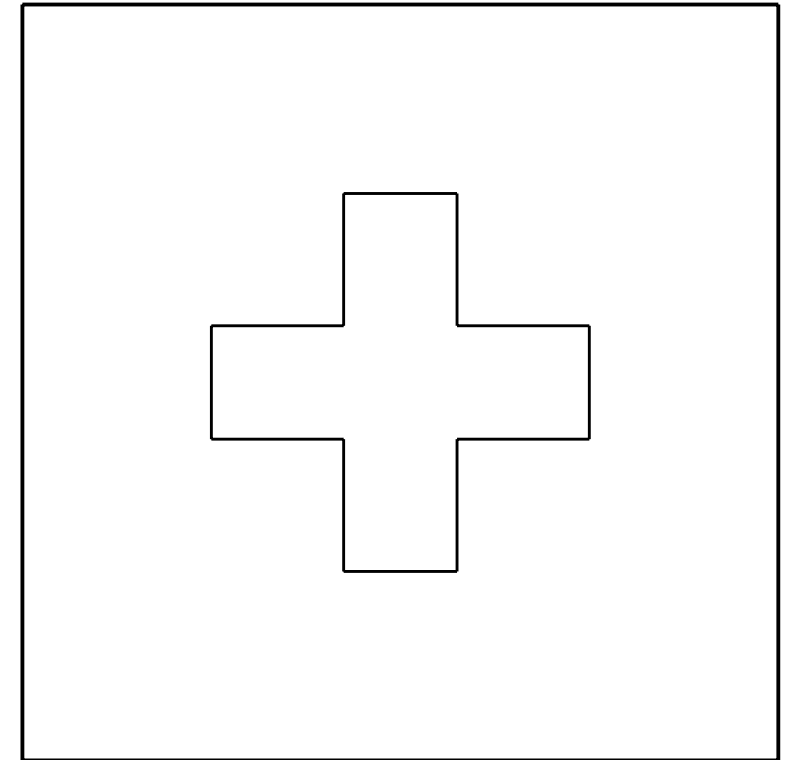
BACK



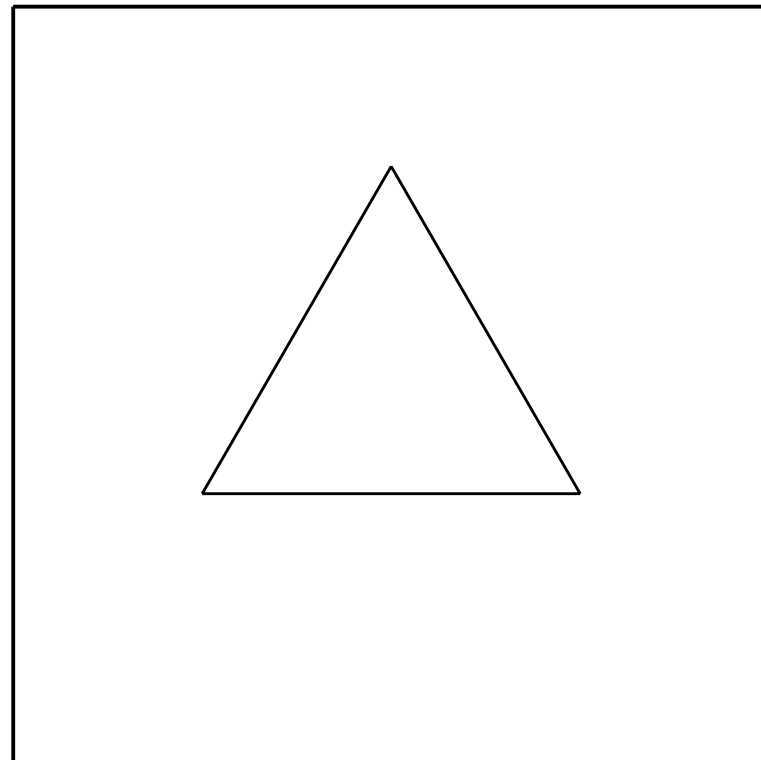
LEFT



FRONT

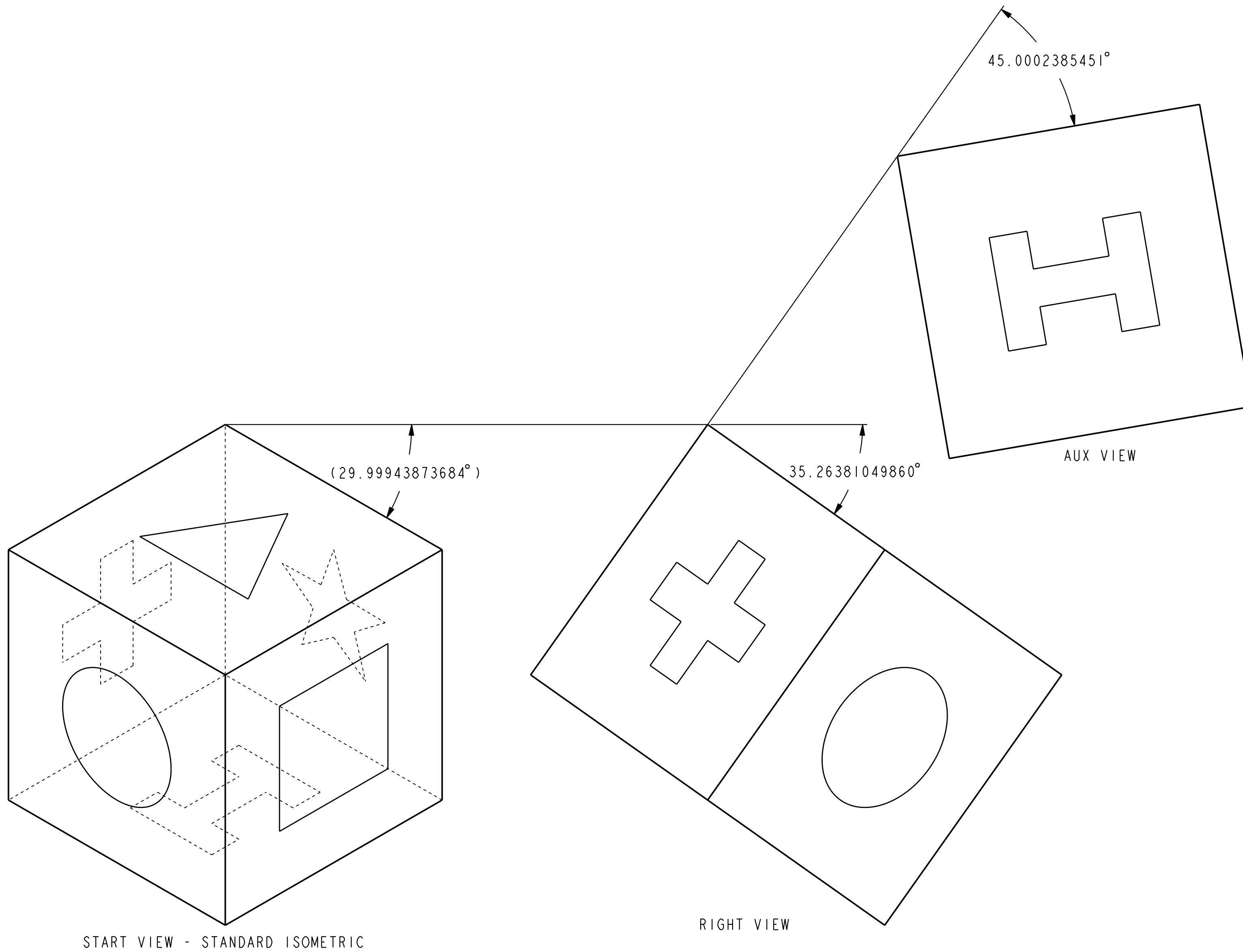


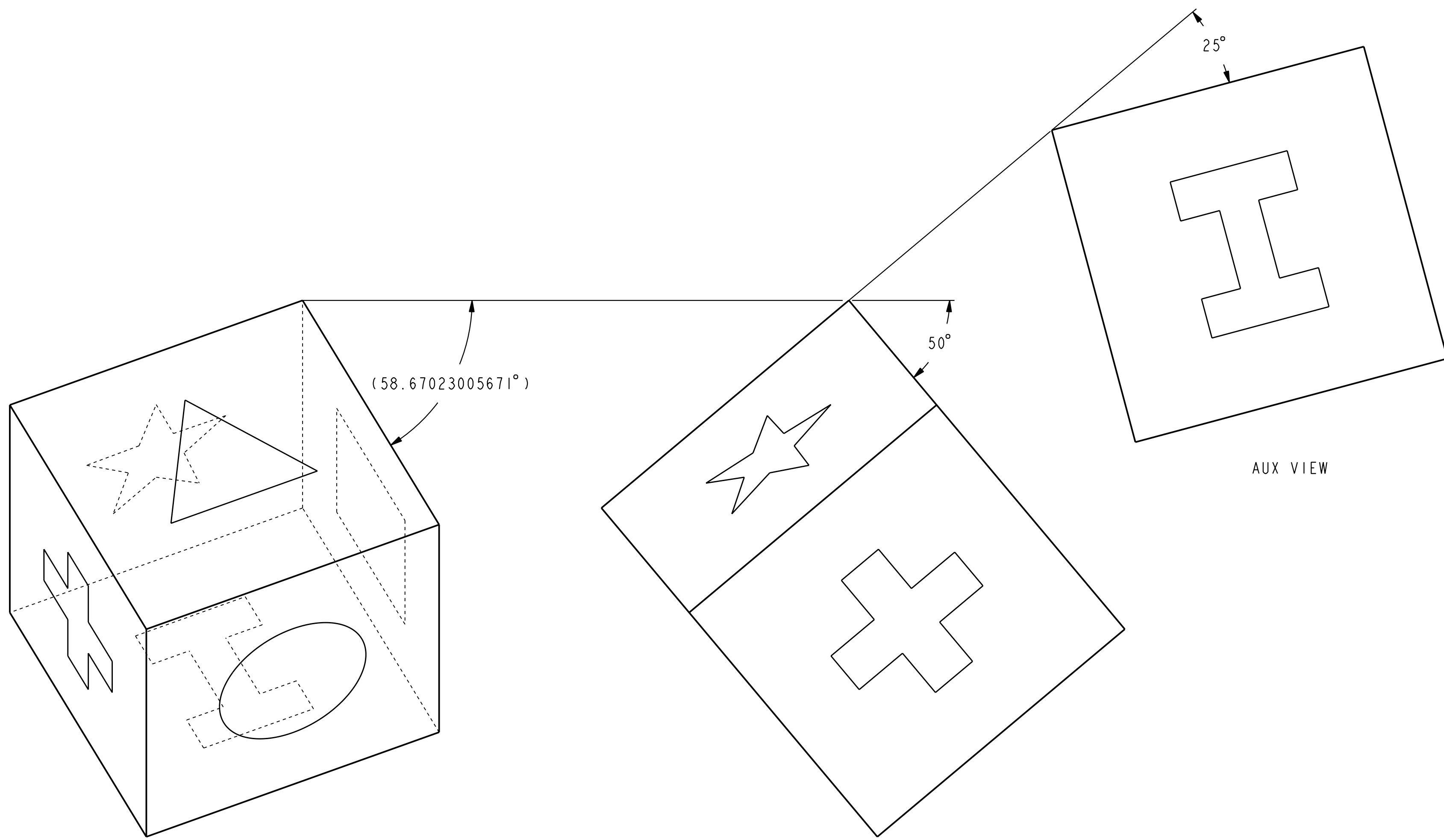
RIGHT



BOTTOM

STANDARD VIEWS

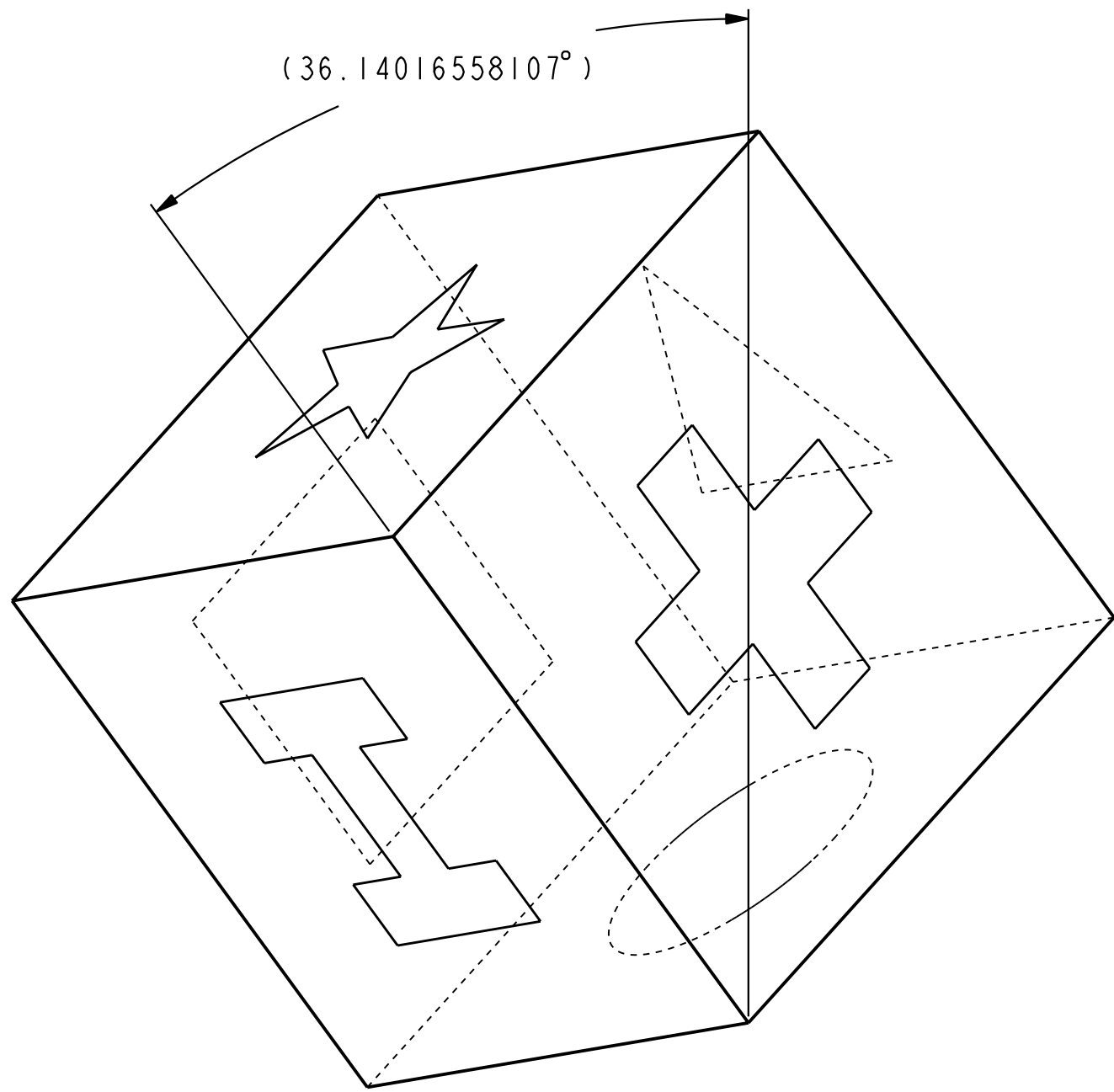




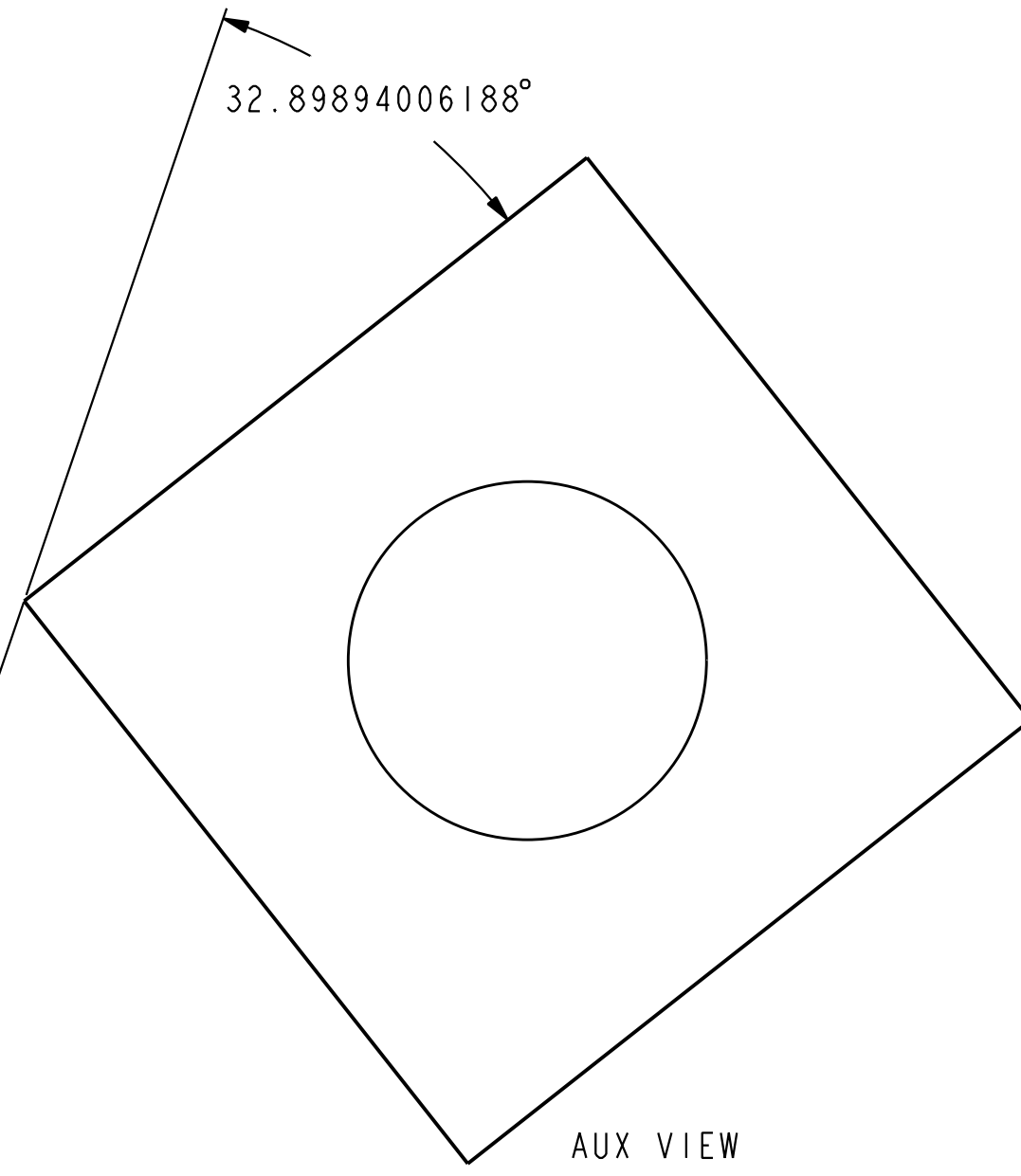
THIS VIEW WAS CREATED IN MODEL STARTING WITH FRONT VIEW
 THEN ROTATED 25° ABOUT VERTICAL AXIS
 THEN ROTATED 50° ABOUT HORIZONTAL AXIS

RIGHT VIEW

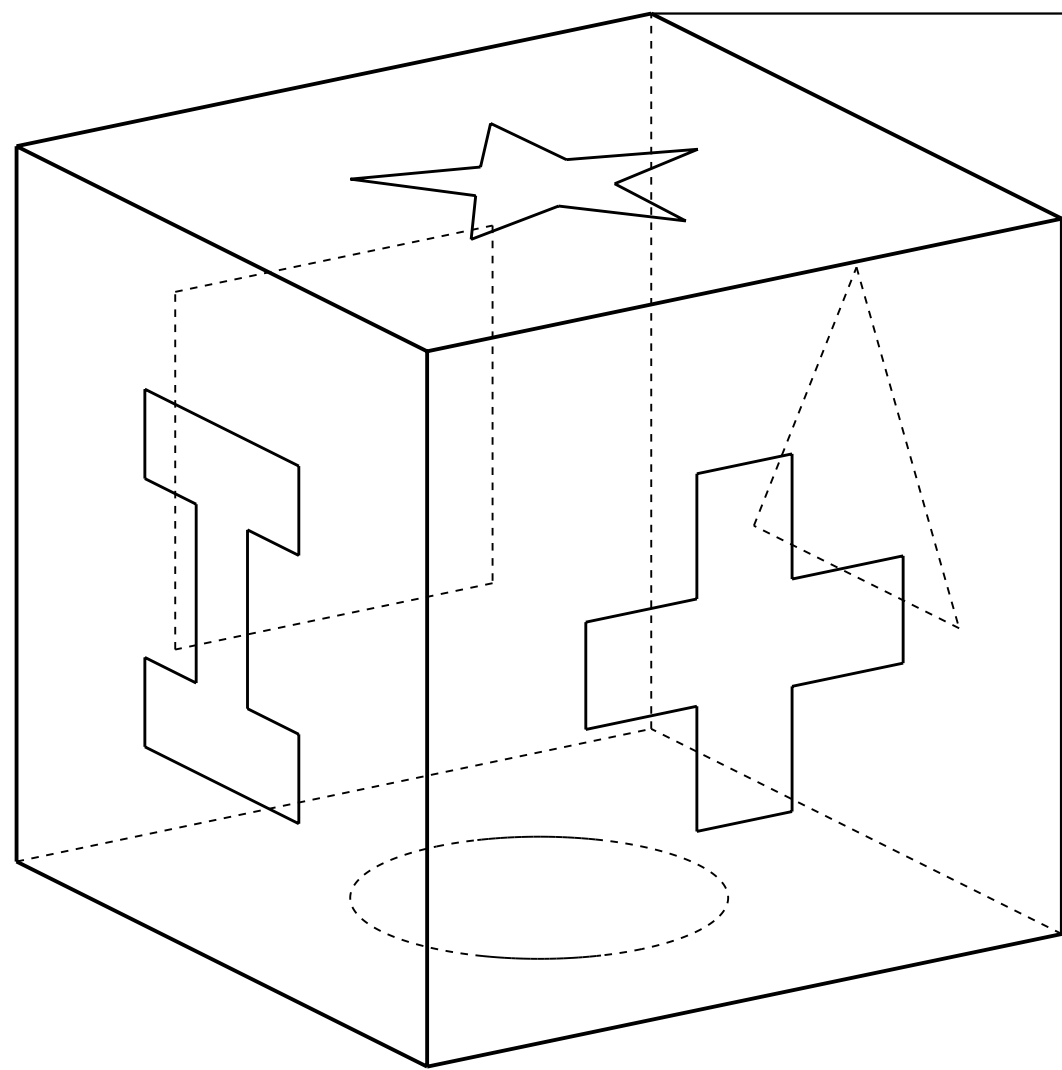
AUX VIEW



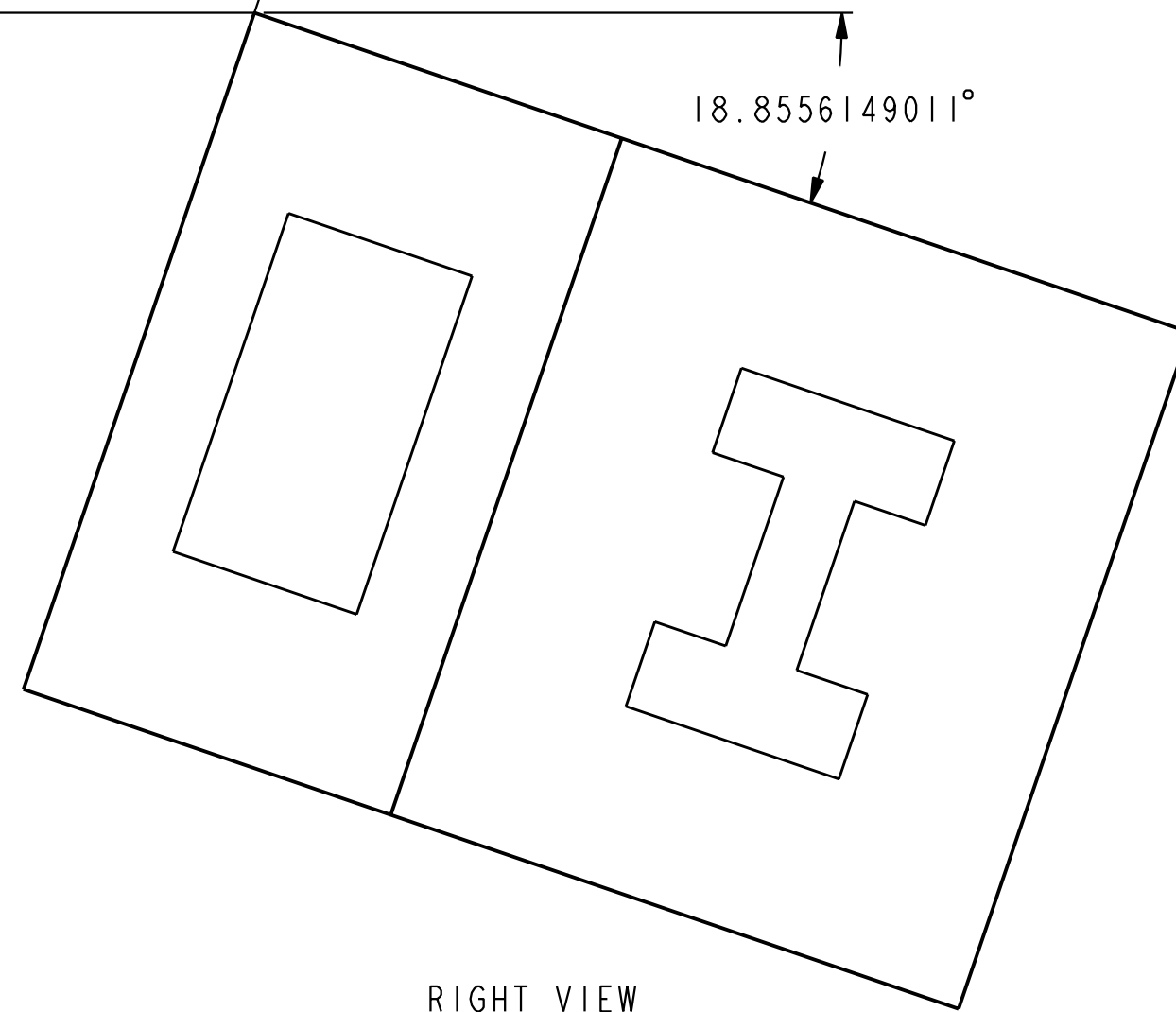
ORIGINAL VIEW
ROTATED ARBITRARILY IN MODEL



AUX VIEW



SAME VIEW AS ORIGINAL BUT ROTATED
ABOUT NORMAL AXIS TILL EDGES ARE VERTICAL
(36.14016558107°)



RIGHT VIEW