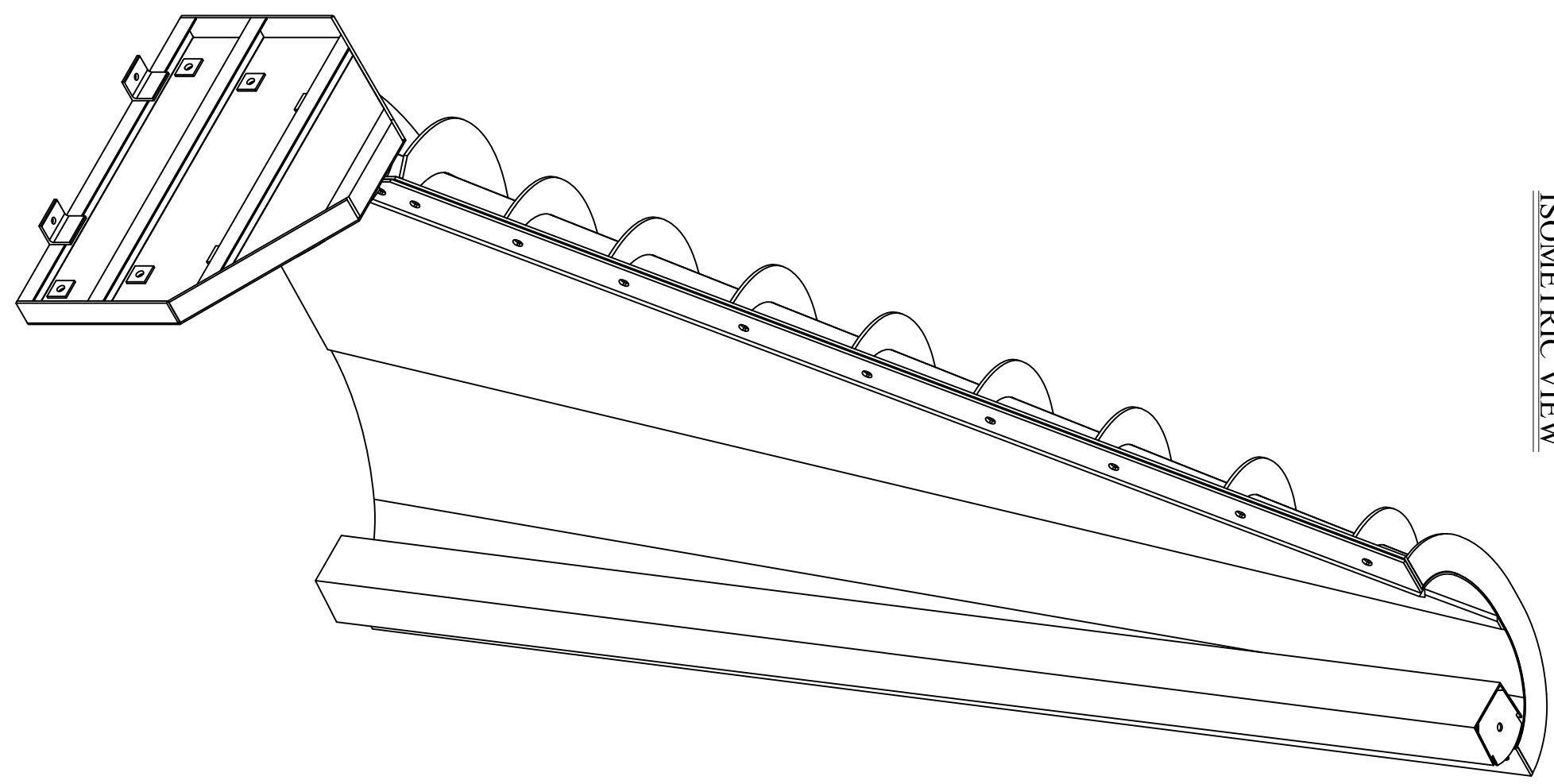
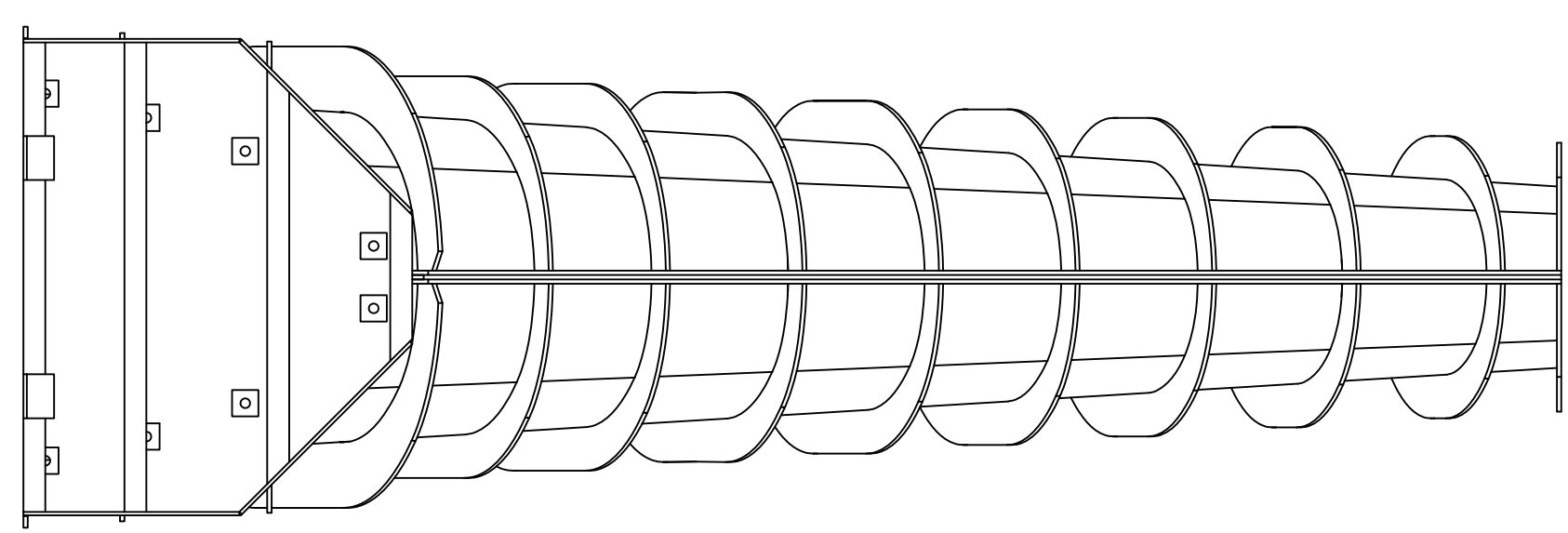


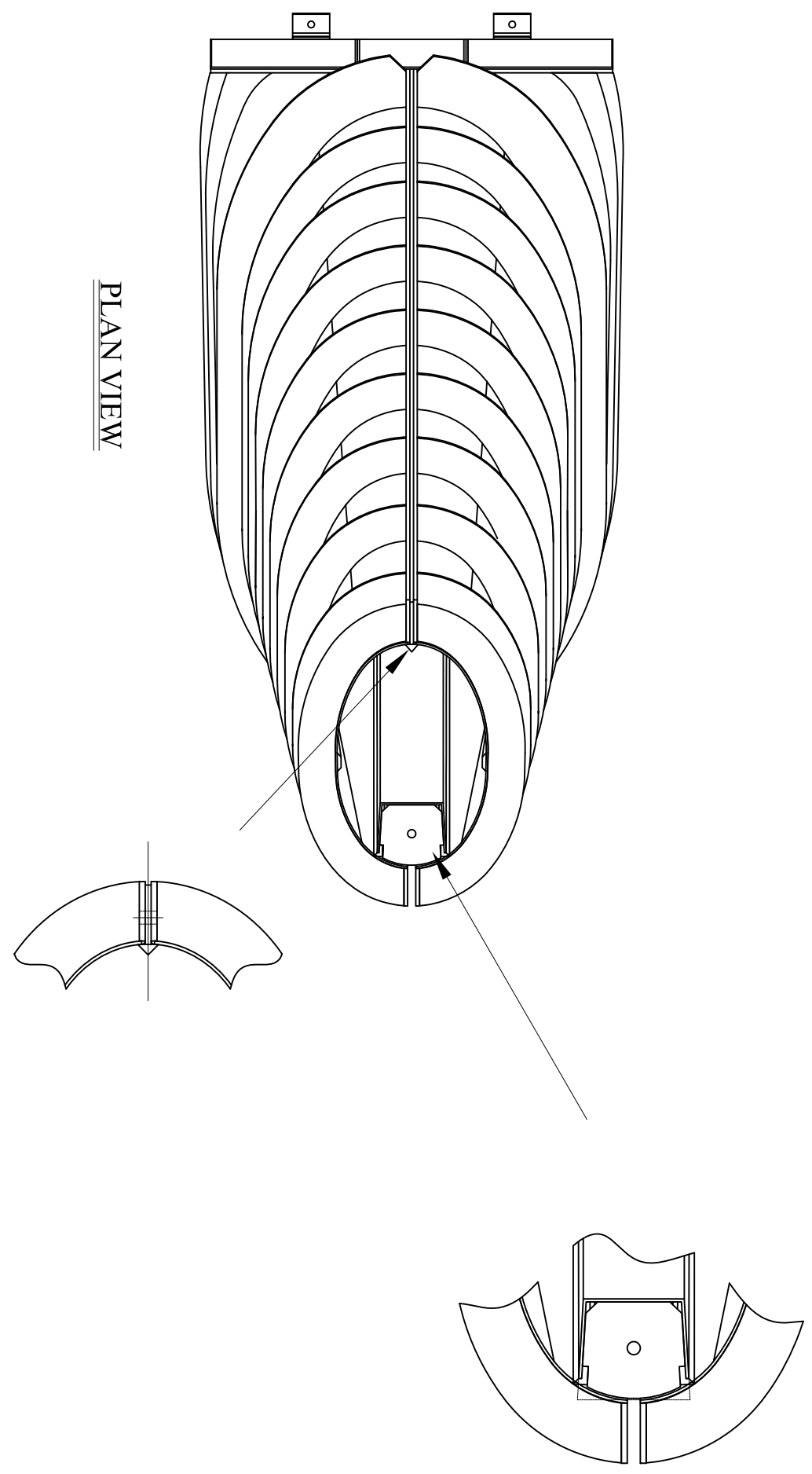
ISOMETRIC VIEW



PARTIAL ISOMETRIC VIEW

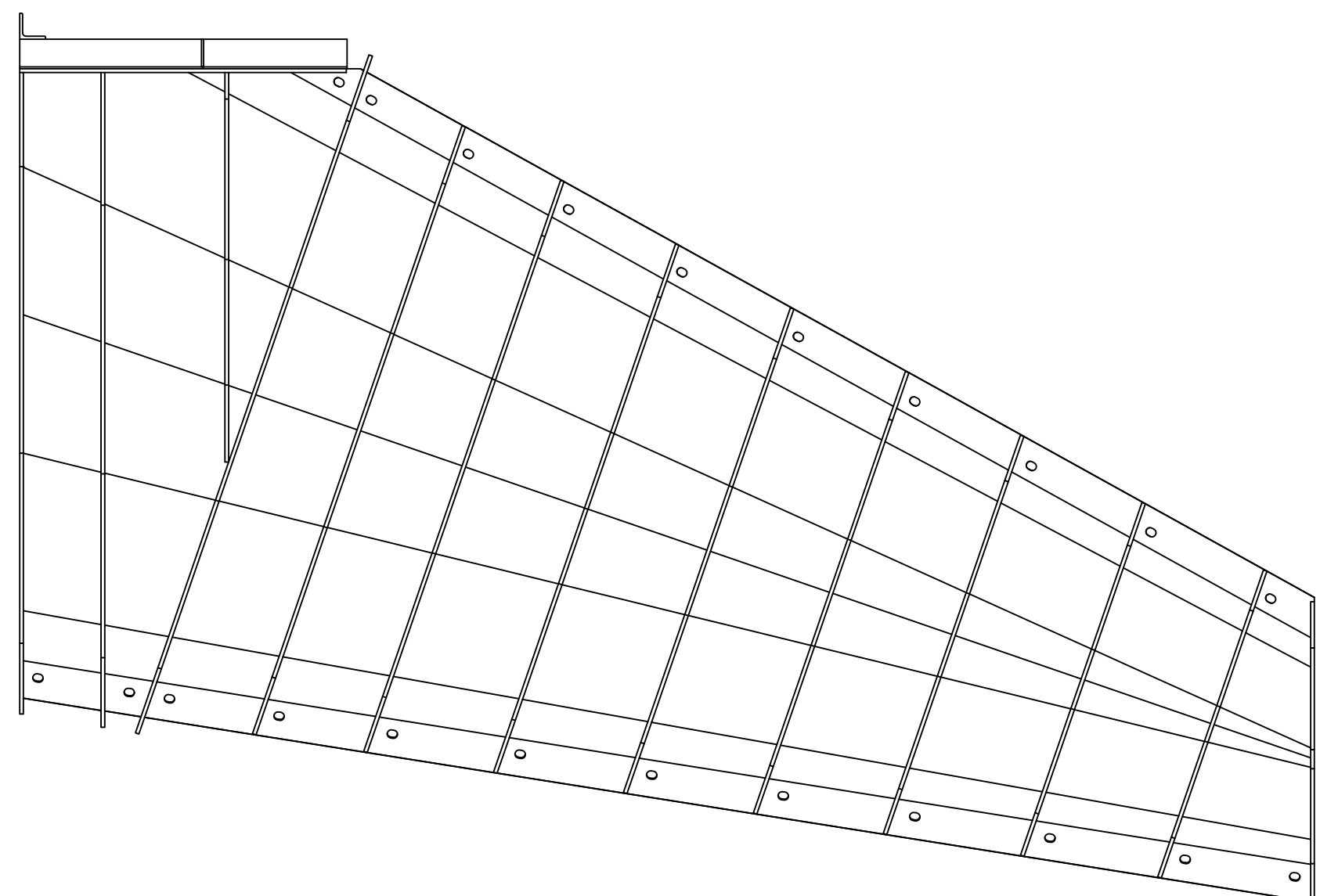


END ELEVATION

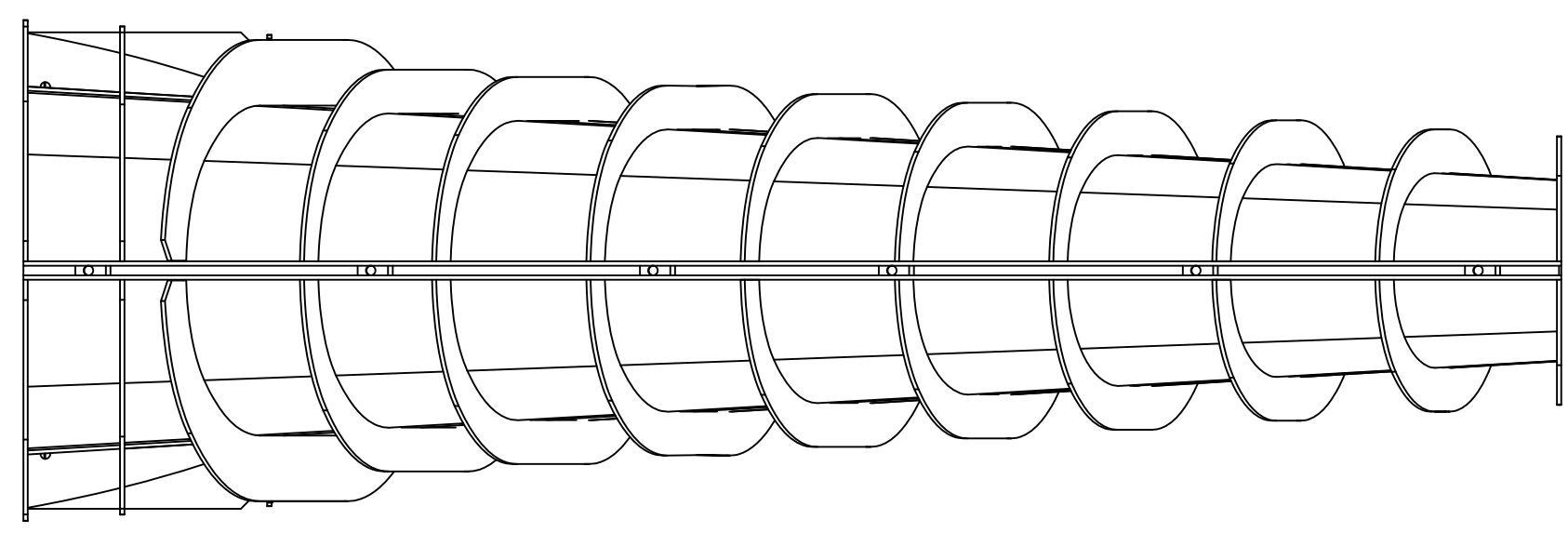


PLAN VIEW

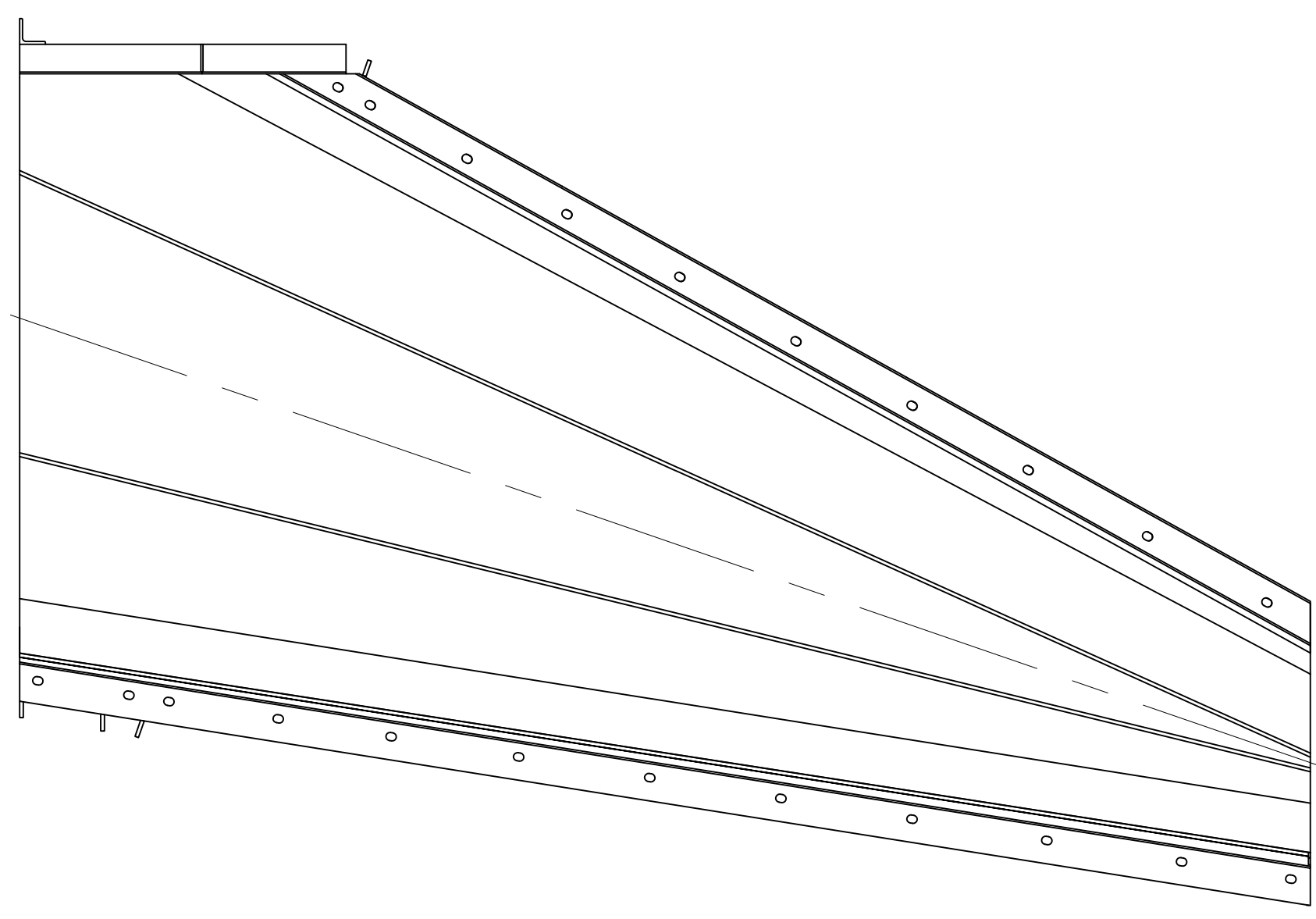
REAR FACE INDENT FORMER



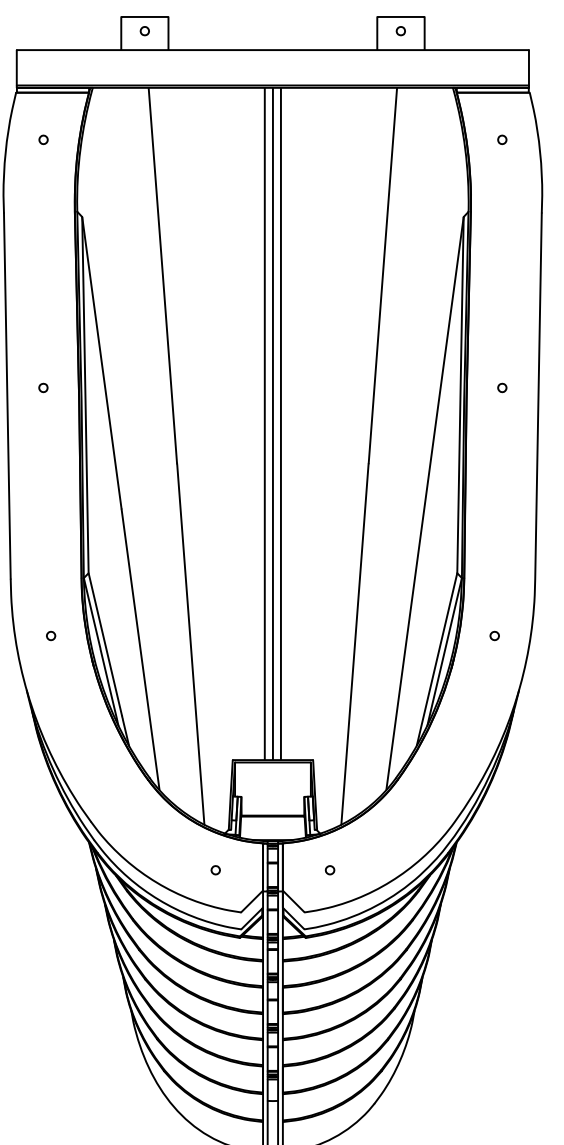
SIDE ELEVATION



END ELEVATION



SIDE ELEVATION NEAR SIDE SIDE PANEL OMITTED



VIEW ON BASE